



## RVASN08...

Rotating valve actuator, 24 V AC/DC or 230 V AC

Valve actuators intended for control of Regin's pressure independent PCMTV32-50 range of valves.

RVASN08... are rotating actuators intended for use in HVAC applications together with the pressure independent PCMTV32-50.

The actuators are compact, easy to mount and have a clear position indication. They are available with either On/Off (2-position), 3-position or 0...10 V control signal.

### Settable rotational direction

RVASN08... has two DIP-switches that can be used to set the actuator's rotational setting in a clockwise or counter-clockwise direction. These are placed under the cover and are easy to reach.

### Easy to read position indicator

The cover of the actuator has a graded scale that makes it easy to see in which position the actuator is presently located.

### Manual override

To manually set the valve position, first hold down the clutch button on the side of the actuator. This enables turning the lever attached to the position indication arrow to the desired valve position.

The actuator will return to its automatic function when the clutch button is released.

### Short facts about RVASN08...

- Compact actuator for simple installation and maintenance
- On/Off (2-position), 3-position or 0...10 V control signal, depending on model
- Clear position indication
- Torque 8 Nm
- 230 V AC or 24 V AC/DC supply voltage
- DIP-switches for setting of rotational direction

## Models

Model	Supply voltage	Control signal
RVASN08-24	24 V AC, 50/60 Hz alt. 24 V DC $\pm$ 20 %	On/Off (2-position) and 3-position
RVASN08-24A	24 V AC, 50/60 Hz alt. 24 V DC $\pm$ 20 %	0...10 V
RVASN08-230	230 V AC, 50/60 Hz	On/Off (2-position) and 3-position

## Technical data

Power consumption	
RVASN08-24	3.9 W (0.4 W/6.5 VA in standby mode)
RVASN08-24A	4.8 W (1.2 W/6.5 VA in standby mode)
RVASN08-230	4.8 W (1.2 W/6.5 VA in standby mode)
Max. stroke (rotation)	0...90°
Stroke time	30 s/90°
Torque	8 Nm
Angle limitation	5...85° (in increments of 5°)
Ambient temperature	-20...+50°C
Max. media temperature	120°C
Storage temperature	-40...+70°C
Ambient humidity	5...95 % RH
Protection class	IP54

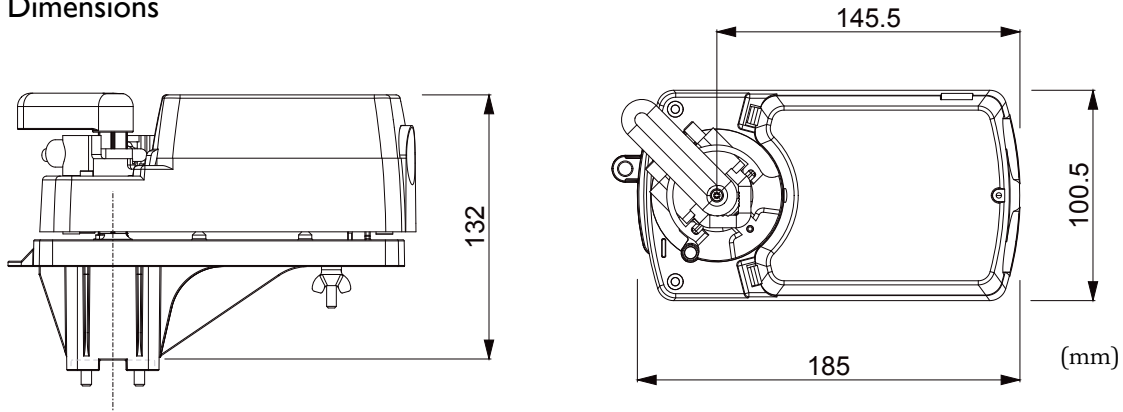


**Low Voltage Directive (LVD) standards:** This product conforms to the requirements of the European Low Voltage Directive (LVD) 2006/95/EC through product standards EN 60730-1:2011.

**EMC emissions & immunity standards:** This product conforms to the requirements of the EMC Directive 2004/108/EC through product standards EN 55014-1 and EN 55014-2.

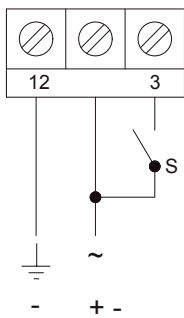
**RoHS:** This product conforms to the Directive 2011/65/EU of the European Parliament and of the Council.

## Dimensions

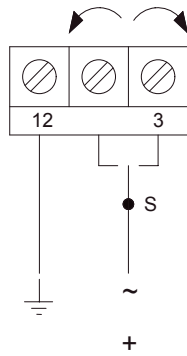


## Wiring

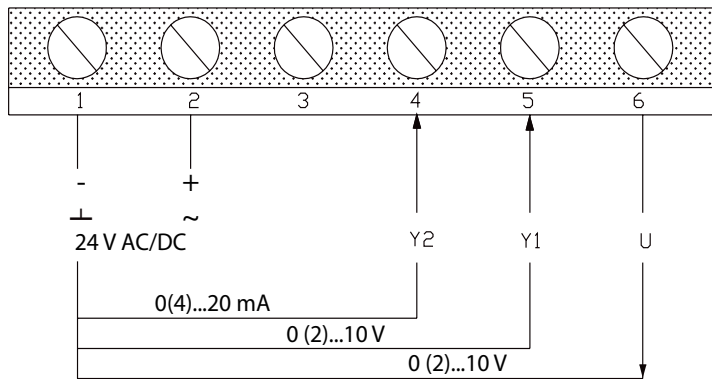
### 2-position (On/Off)



### 3-position



### 0...10V



## Product documentation

Document	Type
Product sheet PCMTV32-50	Information about pressure independent valves intended for use together with RVASN08...
Instruction PCMTV32-50	
Instruction RVASN08...	Instruction for RVASN08...

The documents can be downloaded from [www.regincontrols.com](http://www.regincontrols.com)

### Head office Sweden

Phone: +46 31 720 02 00

Web: [www.regincontrols.com](http://www.regincontrols.com)

Mail: [info@regin.se](mailto:info@regin.se)

**REGIN**

THE CHALLENGER IN BUILDING AUTOMATION