



- Automatic adaptation to connected 230 or 400V supply voltage
- PI-control for supply air control and P-control for room control
- Can be controlled with external 0...10V control signal
- For wall mounting

TTC2000 is a 3-phase triac controller for control of electric heaters. The device is connected in series between the power supply and an electric heater or radiator.

TTC2000 has a temperature controller with inputs for sensors placed, for instance, in a supply air duct or room. It can also be controlled using an external control signal.

The controller utilises stepless, time-proportional control. I.e.: the ratio between on-time and off-time is varied in order to fit the present heating requirement.

Example: A controller output of 50 % will equal an on-time of 30 s and an off-time of 30 s if the cycle time is 60 s. The cycle time is adjustable 6...120 s.

Triac control is considerably more accurate than on/off control, meaning increased heating comfort and lowered energy costs.

TTC2000 has a built-in function for automatically adapting the control mode as needed:

#### Supply air control

For rapid temperature changes, the supply air controller will function as a PI-controller. The P-band will be 20K with an I-time of 6 minutes.

#### Room temperature control

For slower temperature changes, the room controller will function as a P-controller. The P-band will be 1.5K. The supply air controller will retain the same settings as before. During room temperature control, the supply air temperature can be provided with a min. or max. limitation.

# TTC2000

3-phase controller for electric heating,  
230 or 400 V / 25 A

TTC2000 is a 3-phase controller intended for time-proportional control of electric heaters, radiators, etc. The controller is capable of controlling both D- and Y-connected loads.

- Settable min. and max. limitation
- Adjustable cycle time

#### Control of larger loads

In cases where the electric heater is larger than the capacity of TTC2000, the unit can be combined with an ancillary TT-S1 board (see below). The load can also be divided and controlled by use of a TT-S4/D or TT-S6/D step controller in combination with the TTC2000. It is also possible to slave control of one or more TTC2000.

#### TT-S1

The power handling capacity can be increased by an additional 25 A by use of the TT-S1 relay control board. When used, TT-S1 will control the electric power output via a contactor. For best control, the two part loads must be of equal size, e.g. 25 A max.

For wiring diagram and more information, see instructions for TT-S1.

#### External control signal

TTC2000 can also be run against a 0...10 V DC control signal from another controller. 0 V input signal will give 0 % output and 10 V input will give 100 % output.

Minimum and maximum limit functions are not active when using an external control signal.

## Technical data

Supply voltage	3-phase, 210...255 / 380...415 V AC. Automatic adaptation
Power output	Max. 25 A, min. 3 A/phase. At 400 V, max. effect will be 17 kW
Safety function	The feed to the TTC should be interlocked with a high temp. limit switch
Power emission	45 W at full load
Cycle time	Factory setting 60 sec. Adjustable 6...120 sec
Indicator	Red LED, lit when power is pulsed to heater
Ambient temperature, operation	0...40°C
Ambient humidity	Max 90 %rH
Storage temperature	-40...+50°C
Protection class	IP30

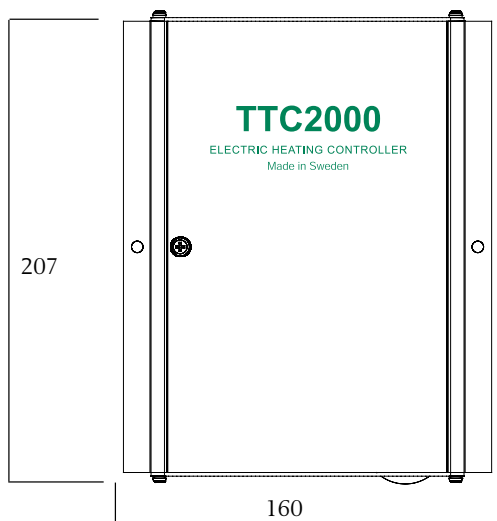


This product carries the CE-mark. More information is available at [www.regincontrols.com](http://www.regincontrols.com).

## Control unit

Sensor inputs	Main and min./max. sensor. Min./max. sensor: working range 0...60°C
Main setpoint	0...30°C. Other areas dependant on connected sensor. Includes external setpoint (e.g. TG-R430)
Control parameters, primary control	Rapid control circuits: PI-function with a P-band of 20K and I-time of 6 minutes. Slower control circuits: P-function with a P-band of 1.5 K
Setpoint, min. limitation	0...30°C
Setpoint, max. limitation	20...60°C
Control parameters, limitation	PI-function with a P-band of 20K and an I-time of 6 minutes
Output signal, controller	0...10 V. Connected to control input of output unit by wire strap (terminal 7-9)

## Dimensions

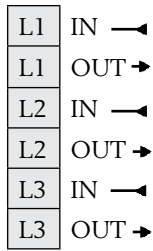


Depth: 94

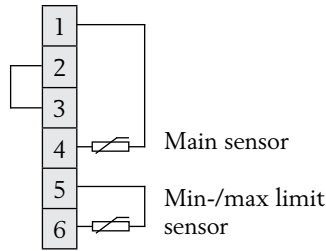
mm

## Wiring

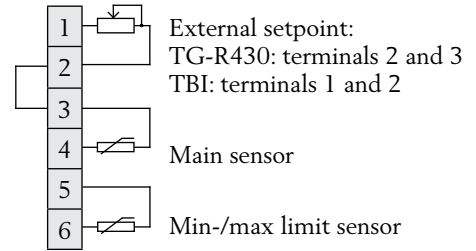
### Supply voltage



### Room temperature control

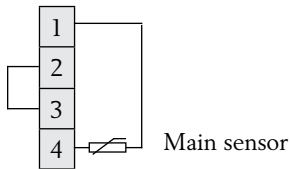


### Room temperature control with external setpoint

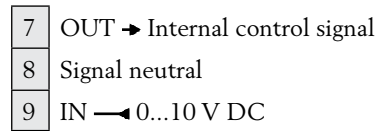


NOTE: When controlling Y-connected loads, the load must be symmetric and the signal neutral must not be connected!

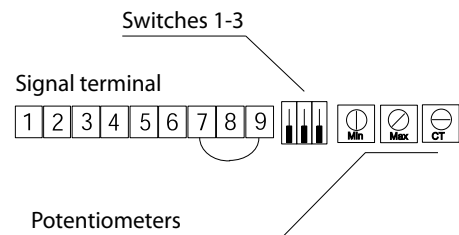
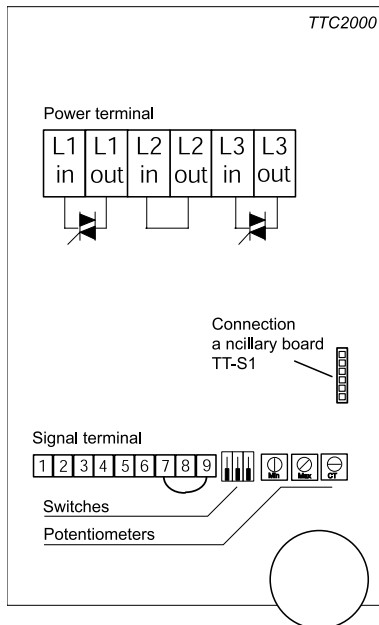
### Constant supply air



### External signal 0...10 V DC



Terminals 7 and 9 are connected by a factory-mounted wire strap. Remove the wire strap when using external control signal.



Operating switches:

- 1 - Setpoint:  
Up: Built-in setpoint  
Down: External setpoint
  - 2 - Min. temp. limit.:  
Up: Activated  
Down: Deactivated
  - 3 - Max. temp. limit.:  
Up: Activated  
Down: Deactivated
- Min. and max. limit. function can be active simultaneously

## Product documentation

Document	Type
Instruction TTC2000	Instruction for TTC2000

The documents can be downloaded from [www.regin.se](http://www.regin.se).