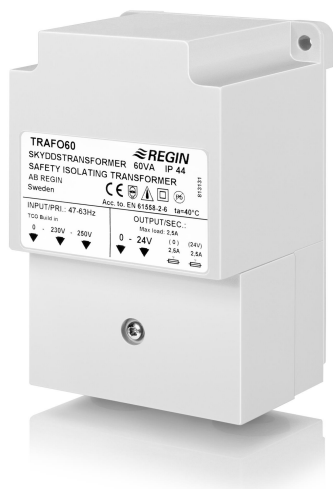


TRAF060

Transformer, 60 VA, wall mounting



Transformer with replaceable fuses on both poles of the secondary side. Overload and short-circuit proof.

- ✓ 60 VA
- ✓ Wall mounting
- ✓ Short-circuit proof
- ✓ Replaceable fuses

APPLICATION

TRAF060 is used for power supply for control equipment and instrumentation, alarm systems, heating foil or heating cable, halogen lights and other low voltage installations (supplying SELV and PELV systems).

FUNCTION

This is a single-phase compact protection transformer for industrial use. It has a low sound level, is protected from humidity, dust and vibrations. The transformer is cast in self-extinguishing polyurethane with plastic casing. It is double-insulated, short-circuit proof and with a fuse to prevent against overloads.

INSTALLATION

The transformer is intended for wall mounting. The casing has mounting-holes and easy accessed wiring terminals under the lid. Cable fittings and cable strain reliefs are included.

HEAD OFFICE SWEDEN

Phone: +46 31 720 02 00

Web: www.regincontrols.com

E-mail: info@regincontrols.com

TRAF060

— | —

REGIN
THE CHALLENGER

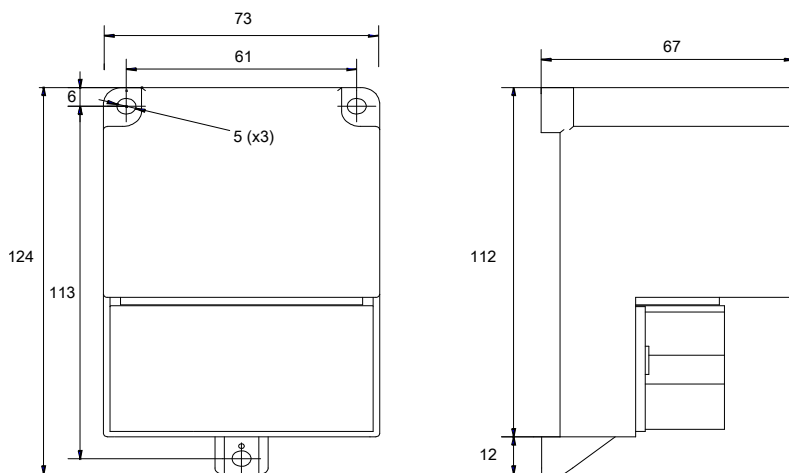
TECHNICAL DATA

Supply voltage	230 V ~ (230 V ~ 50/60 Hz 60 VA)
Output voltage	24 V AC
Max. load	60 VA
Mounting	Wall
Ambient temperature	Max. 40 °C
Protection class	IP44
Isolation class	II
Temperature class	B
Dimensions, external (WxHxD)	73 x 124 x 67 mm



This product carries the CE-mark. More information is available at www.regincontrols.com.

DIMENSIONS



[mm]

WIRING

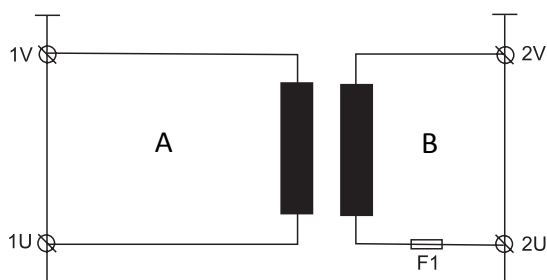


Fig. 1 A = Primary (input), B = Secondary (output)

DOCUMENTATION

All documentation can be downloaded from www.regincontrols.com.