

TG-KH3/...

Duct sensor with housing



Duct sensor for air temperature measurement in ventilation ducts.

- ✓ Sealed housing with IP65
- ✓ Easy access to connection
- ✓ Replaceable cable gland

Application

The duct sensor measures the air temperature in ventilation and air handling installations. It can be used for a wide range of applications since there are models with different sensor elements and different insertion lengths.

Function

The duct sensor is suitable for all environments. Since the mounting bracket is made of a flexible material it closes tightly against the duct.

Installation

The duct sensor is very easy to mount and it has an adjustable insertion length.

The terminal block for connecting the analog input to a controller is located under the cover. The cover is easily removed from the base with a twist.

The sensor is designed so that the seal remains in the cover at all times and the cable gland is replaceable.

HEAD OFFICE SWEDEN

Phone: +46 31 720 02 00

Web: www.regincontrols.com

E-mail: info@regincontrols.com

TG-KH3/...

— | —

Technical data

| | |
|-------------------------------------|-------------------|
| Protection class | IP65 |
| Time constant | 16 s |
| Measuring range, temperature | -30...+70 °C |
| Cable gland | M16 |
| Diameter, probe | 8 mm |
| Dimensions, external (WxHxD) | 78 x 263 x 104 mm |
| Weight (incl. packaging) | 0.19 kg |



This product carries the CE-mark. More information is available at www.regincontrols.com.

Material

| | |
|--------------------------|-------------------------|
| Material, housing | Polycarbonate (PC) |
| Material, base | Polycarbonate (PC) |
| Material, probe | Stainless steel, SUS304 |

Models

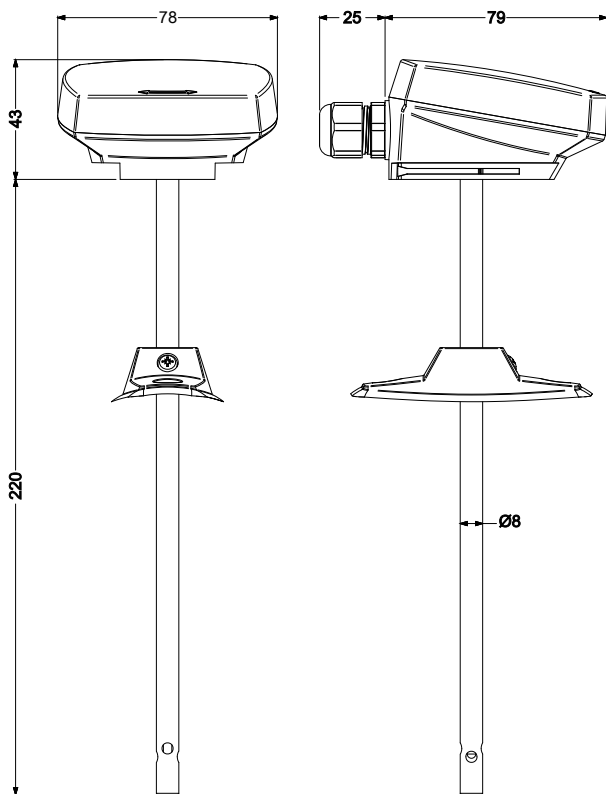
| Article | Sensor element | Nominal resistance | Insertion length | Equivalent |
|-------------------|----------------|--------------------|------------------|---|
| TG-KH3/PT100 | PT100 | 100 Ω (0°C) | 60...205 mm | - |
| TG-KH3/PT1000 | PT1000 | 1000 Ω (0°C) | 60...205 mm | - |
| TG-KH3/PT1000-430 | PT1000 | 1000 Ω (0°C) | 60...405 mm | - |
| TG-KH3/NTC1.8 | NTC 1.8 | 1800 Ω (25°C) | 60...205 mm | TAC |
| TG-KH3/NTC2.2 | NTC 2.2 | 2252 Ω (25°C) | 60...205 mm | Johnson Controls |
| TG-KH3/NTC10-01 | NTC 10 | 10 kΩ (25 °C) | 60...205 mm | Aquatrol - Johnson Controls - Satchwell - Trend - Cylon - Honeywell - Distech |
| TG-KH3/NTC10-02 | NTC 10 | 10 kΩ (25 °C) | 60...205 mm | Carel - Evco - Eliwell - AB Industrietechnik |
| TG-KH3/NTC10-03 | NTC 10 | 10 kΩ (25 °C) | 60...205 mm | Andover - Delta Controls - Siebe - York |
| TG-KH3/NTC20 | NTC 20 | 20 kΩ (25°C) | 60...205 mm | Honeywell |
| TG-KH3/Ni1000-01 | Ni1000 | 1000 Ω (0 °C) | 60...205 mm | Siemens - Landis & Staefa |
| TG-KH3/NI1000-02 | Ni1000 | 1000 Ω (0 °C) | 60...205 mm | Sauter |

HEAD OFFICE SWEDEN

Phone: +46 31 720 02 00
 Web: www.regincontrols.com
 E-mail: info@regincontrols.com

TG-KH3/...

Dimensions



[mm]

Documentation

All documentation can be downloaded from www.regincontrols.com.