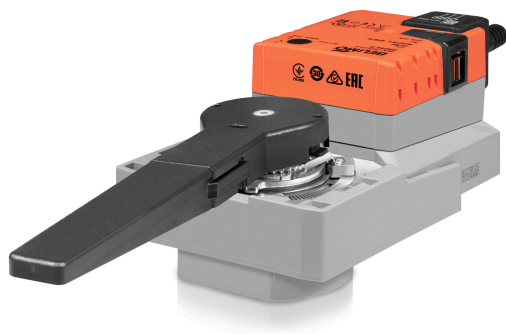


SR230.../SR24...

Quarter turn valve actuators



20 Nm quarter turn valve actuators for control of Regin's BW2 valves (DN40...DN80).

- ✓ Simple direct mounting
- ✓ Manual override
- ✓ High functional reliability
- ✓ Protection class IP54
- ✓ 24 V AC/DC or 230 V AC

Function

The actuators are used to control butterfly valves with either 2-point control (on/off), 3-point control or 0-10 V signals.

The actuator is overload-proof, requires no limit switches and automatically stops when the end stop is reached.

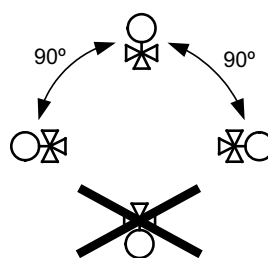
Manual override

Manual override is possible by pressing a push-button. The gear is disengaged for as long as the button is pressed or remains locked.

Installation

Simple direct mounting on the rotary valve with a mounting flange. The mounting position can be selected in 90° steps.

The valve and actuator should never be mounted at an angle of more than 90°.



HEAD OFFICE SWEDEN

Phone: +46 31 720 02 00

Web: www.regincontrols.com

E-mail: info@regincontrols.com

SR230.../SR24...

Technical data

Torque	20 Nm
Running time	90 s / 90°
Storage temperature	-40...+80 °C
Ambient temperature	0...50 °C
Ambient humidity	< 95 % RH (non-condensing)
Protection class	IP54
Connection flange	F03/F04/F05
Weight	0.9 kg



This product carries the CE-mark. More information is available at www.regincontrols.com.

Models

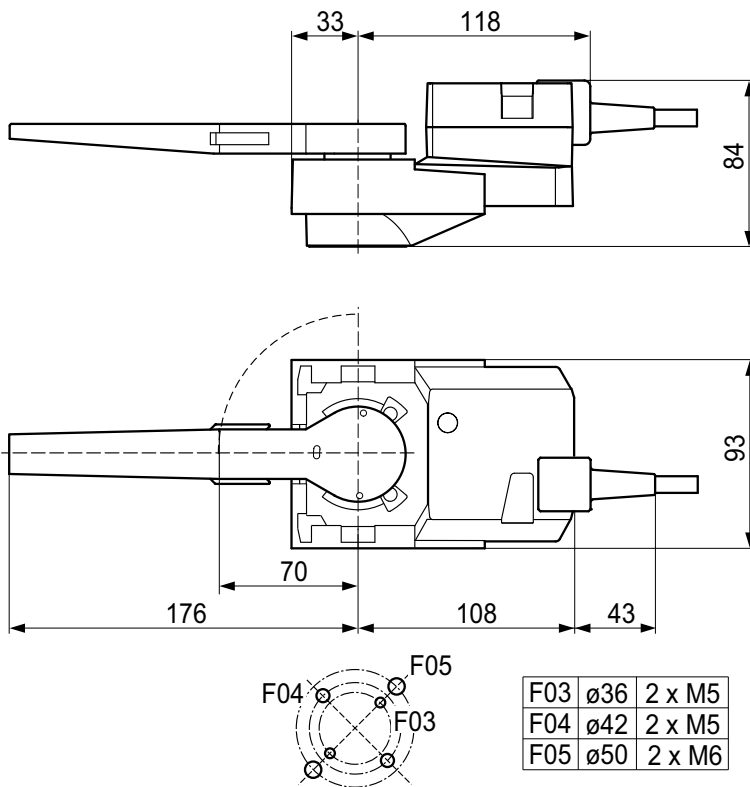
Article	Supply voltage	Control signal	Power consumption	Connection cable	Sound power level	Isolation class
SR24A-R	24 V AC, 50/60 Hz	2-point / 3-point	2.5 W	1 m, 3x0.75 mm ²	max. 45 dB (A)	III
SR24A-MF-R	24 V AC, 50/60 Hz	0...10 V	4 W	1 m, 4x0.75 mm ²	max. 35 dB (A)	III
SR230A-R	230 V AC, 50/60 Hz	2-point / 3-point	3 W	1 m, 3x0.75 mm ²	max. 45 dB (A)	II

Accessories

Article	Description
VAR-SR	Adapter F05/F07, for use with butterfly valve BW2, DN40–80.
ZSV-11	Adapter 11x11x57 mm, for use with butterfly valve BW2, DN40–80.

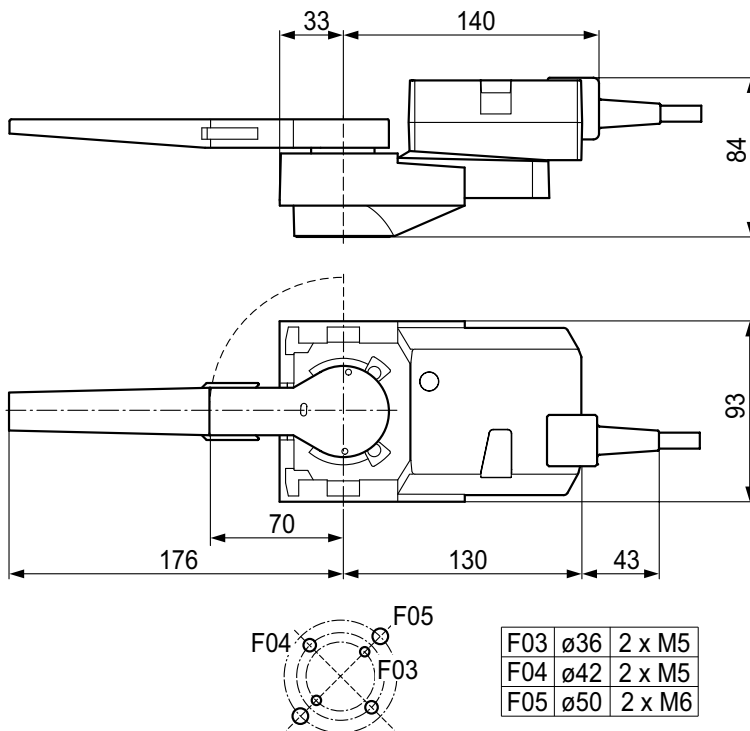
Dimensions

SR24A-R



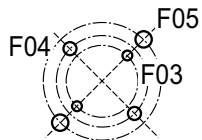
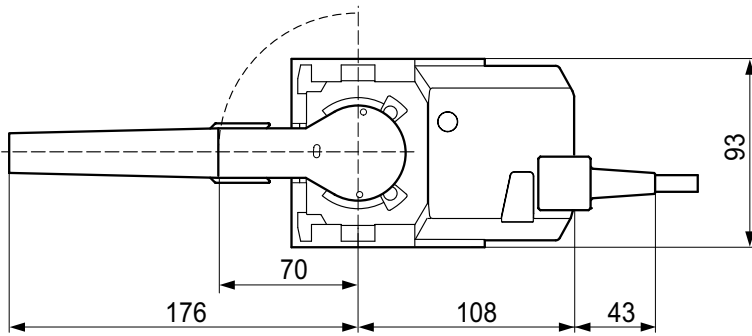
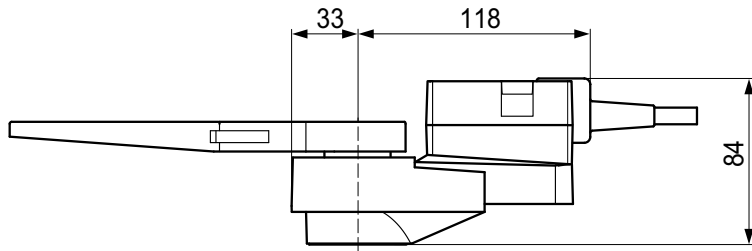
[mm]

SR24A-MF-R



[mm]

SR230A-R



F03	∅36	2 x M5
F04	∅42	2 x M5
F05	∅50	2 x M6

[mm]

Wiring

SR24A-R

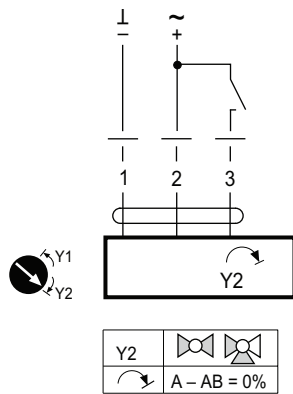


Fig. 1 2-point (on/off) control

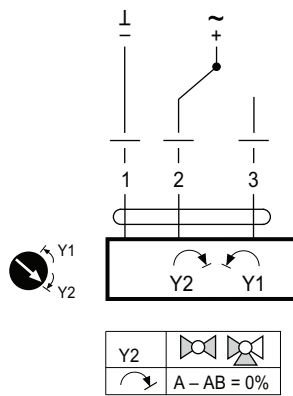


Fig. 2 3-point control

Cable	Colour
1	Black
2	Red
3	White

SR24A-MF-R

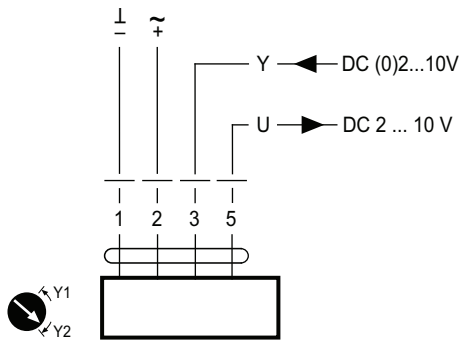


Fig. 3 Standard connection

Y = Control of controller

U = Measuring of voltage for reset signal

Cable	Colour
1	Black
2	Red
3	White
5	Orange

c	d	Actuator	Butterfly valve
closed	open	Y1	A - AB = 100%
open	open	Y2	A - AB = 0%
open	closed	Modulating operation	Modulating operation

SR230A-R

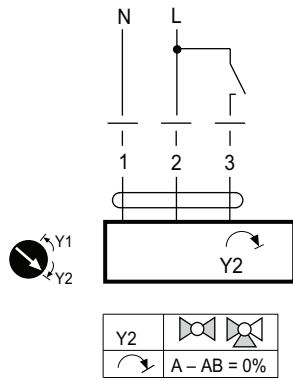


Fig. 4 2-point (on/off) control

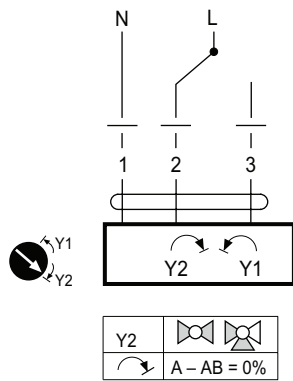


Fig. 5 3-point control

Cable	Colour
1	Blue
2	Brown
3	White

Documentation

All documentation can be downloaded from www.regincontrols.com.