



R3...

Mechanical room thermostat

R3... is a wall mounted room thermostat for use in HVAC systems. The thermostat can control fans, cooling units, electric heaters, etc.

- ✓ Cooling or heating function
- ✓ Available with on/off or summer/winter switch
- ✓ Well-suited for mounting in small and dry areas

Function

R3... is an electro-mechanical room thermostat intended for wall mounting. The thermostat contains a pair of gas-filled bellows with a stainless steel membrane which reacts to changes in temperature by generating a movement which is transmitted to a change-over relay. The thermostat can control a heating or cooling function.

The R33 and R34 have a LED for activated output indication.

Room temperature control

The temperature setpoint can be adjusted via the temperature wheel. The setpoint range can be mechanically limited.

The R33 thermostat has a manual *on/off* switch.

The R34 thermostat has a manual *summer/winter* switch.

Installation

The thermostat is well-suited for mounting in close and dry areas. It fits a large variety of applications in heating, cooling or air conditioning.

It has two mounting holes on the back for mounting on a wall.

Mounting on wall box

If the thermostat should be mounted on a wall box, there is a possibility to add a separate back side with mounting holes that fit a regular wall box (see picture under *Accessories*).

The back side is sold separately.

Technical data

Contacts	NO/NC 250 V AC 16 (2.5) A
Ambient temperature	Max. 50°C
Ambient humidity	Max. 90 % RH
Protection class	IP20
Colour	White
Weight	128 g

Material

Housing	ABS, fireproof in accordance with UL94 V-0
----------------	--

Models

Article	Temperature range	Functions
R31	7...30°C	-
R33	7...30°C	On/off switch
R34	7...30°C	Summer/winter switch

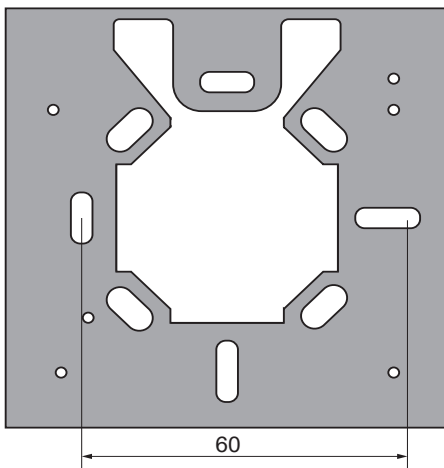
CE

Low Voltage Directive (LVD) standards: This product conforms to the requirements of the European Low Voltage Directive (LVD) 2014/35/EU through product standards EN 60730-1 and EN 60730-2-9.

RoHS: This product conforms to the Directive 2011/65/EU of the European Parliament and of the Council through standard 50581:2012.

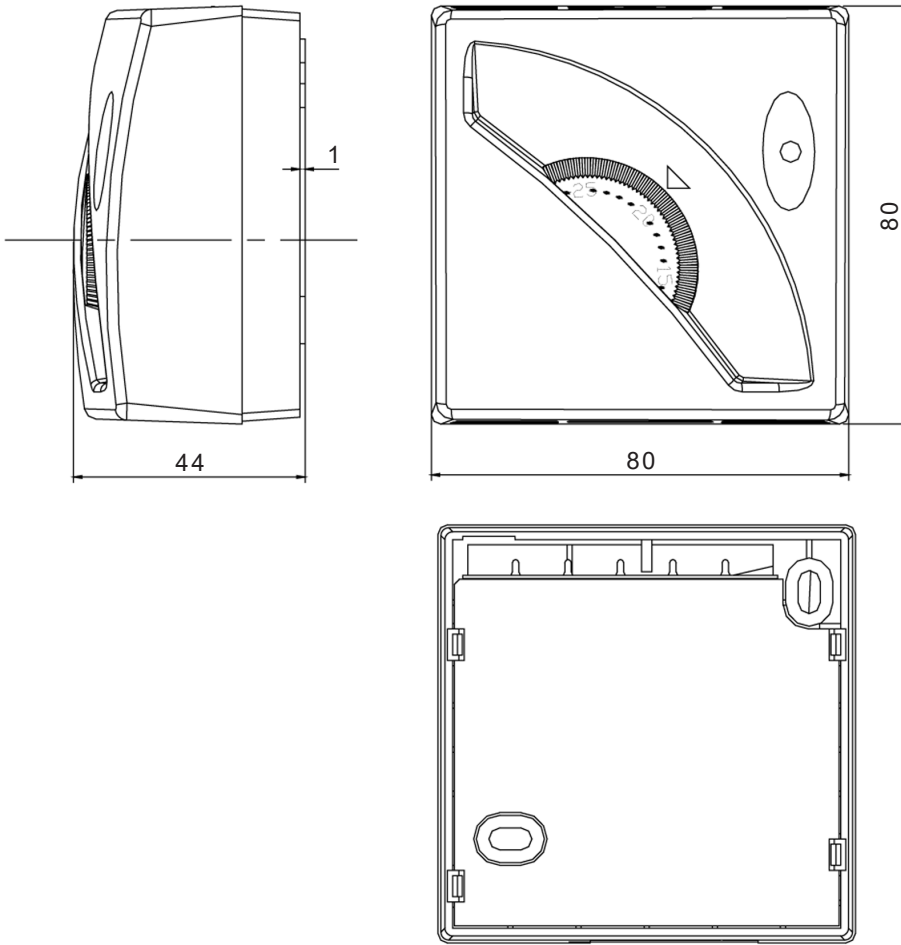
Accessories

Article	Description
SB4095/B	Back side for wall box mounting



Measurements in mm.

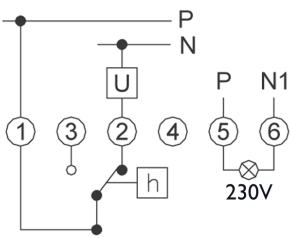
Dimensions



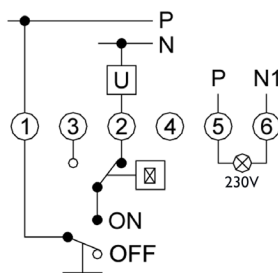
Measurements in mm.

Wiring

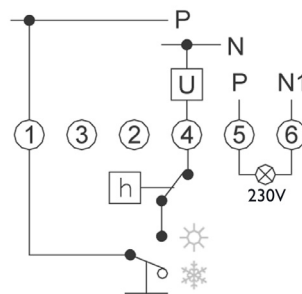
R31



R33



R34



Product documentation

Document	Description
R3... instruction	Instruction for installation and connection of R3...

The product documentation can be downloaded from www.regincontrols.com