

# HYBRID GAS DENSITY MONITOR RS485/MODBUS

Swiss based Trafag offers precise, reliable and maintenance-free instruments, developed for density monitoring of SF<sub>6</sub> and alternative gases. Measurement is based on the gas density reference principle or the patented quartz tuning fork technology. Hybrid monitors combine both principles in one instrument. Thus offering the most reliable solution on the market by directly measuring the gas density.



## Applications

- High voltage technology
- Medium voltage technology
- SF<sub>6</sub> and variety of alternative mixed gases

## Features

- Exact switching output at all temperatures
- No contact bouncing
- Continuous density and temperature measurement
- Long term drift free output signal
- Maintenance free

12/2020

Data sheet H72517n

## Technical Data

Measuring principle	<ul style="list-style-type: none"> <li>• Monitor: Absolute pressure reference gas measuring system</li> <li>• Sensor: Oscillating quartz</li> </ul>	Quantity of switchpoints	1 ... 3 microswitches
Measuring range	<ul style="list-style-type: none"> <li>• Monitor: 0 ... 1100 kPa abs. @ 20°C</li> <li>• Sensor: 0 ... 60 kg/m<sup>3</sup></li> <li>0 ... 1100 kPa abs. @ 20°C</li> </ul>	Dial	Scale and units selectable
Output signal	<ul style="list-style-type: none"> <li>• Monitor: Floating change-over contact (SPDT)</li> <li>• Sensor: RS485/Modbus (RTU)</li> </ul>	Ambient temperature	-40°C ... +80°C

Subject to change

## Ordering information/type code

		879x .	XXXX	XX	XXXX	XX	XX	XX	XX
<b>Custom build code</b>	<b>Hybrid Gas Density Monitor with Microswitches and RS485/Modbus Output</b>								
	One microswitch	8791							
	Two microswitches	8792							
	Three microswitches	8793							
<b>Wire terminal block</b>	Standard wire terminal			21					
	Wire terminal (old version, do not use for new installations)			22					
<b>Pressure connection</b>	Threaded, axial and radial types				1XXX				
	Flanged and cap nut, axial and radial types				2XXX				
	Compartment immersion types <sup>1)</sup>				5XXX				
<b>Code number</b>	Determined by Trafag						XX		
<b>Options</b>	Basic density indicator dial with two colour sectors without markings								60
	Density indicator dial with scale according to customer specification								61
	Low pressure indicator								66
	Process gas wetted O-rings composed of IIR								C2
	Microswitch outlet								
	EMC-cable gland M20x1.5, brass nickel-plated, for cable-ø 7 ... 12.5 [mm]								10
	EMC-cable gland M20x1.5, brass nickel-plated, for cable-ø 8 ... 11 [mm]								07
	EMC-cable gland M20x1.5, brass nickel-plated, for cable-ø 11 ... 14 [mm]								08
	EMC-cable gland M25x1.5, brass nickel-plated, for cable-ø 8 ... 16 [mm]								11
	EMC-cable gland M25x1.5, brass nickel-plated, for cable-ø 12.5 ... 20.5 [mm]								17
	ITT Cannon connector								12
	Blank plug M20x1.5, brass nickel-plated <sup>2)</sup>								13
	Blank plug M25x1.5, brass nickel-plated <sup>2)</sup>								04
	Blank plug M25x1.5, PA <sup>2) 3)</sup>								05
	Sensor outlet								
	EMC-cable gland M20x1.5, brass nickel-plated, for cable-ø 4 ... 10 [mm]								U8
	EMC-cable gland M20x1.5, brass nickel-plated, for cable-ø 7 ... 12.5 [mm]								U1
	EMC-cable gland M20x1.5, brass nickel-plated, for cable-ø 8 ... 11 [mm]								U6
	EMC-cable gland M20x1.5, brass nickel-plated, for cable-ø 11 ... 14 [mm]								U3
	Male electrical connector M12x1, 5-pole, A-coding								U5
	Blank plug M20x1.5, brass nickel-plated <sup>2)</sup>								U2
	Integrated test valve for DILO DN8 test port coupling with M26x1.5 protective cap								
	Standard test port orientation								W3
	Test port orientation 180°								W0
	Test port orientation 270°								W1
	Test port orientation 90°								W2
	Integrated re-filling valve for DILO DN8 filling port coupling with M26x1.5 protective cap								
	Standard filling port orientation								F3
	Filling port orientation 180°								F0
	Filling port orientation 270°								F1
	Filling port orientation 90°								F2

<b>Modbus settings</b>	Baudrate and parity fixed	
	Baudrate 9600 and parity even (1 stop bit)	76
	Baudrate 19200 and parity even (1 stop bit)	77
	Baudrate and parity customised <sup>4)</sup>	78
	Baudrate and parity open configurable	
	Default baudrate 19200, parity even (1 stop bit)	79
	Default settings customised <sup>4)</sup>	80
	Slave-ID open configurable (default ID = 1)	95
	Slave-ID with increasing number per order, start-ID selectable from 1 ... 247	96
	Slave-ID fixed, customised per order, selectable from 1 ... 247	97
<b>Accessories</b>	Thermal insulation for probe housing	06
	Thermal foam cover with drain holes	37
	Weather protection cover	46
	Pressure connection adapter 2300 - G1/2" male	N1

<sup>1)</sup> Requires single-cable connection by microswitch outlet

<sup>2)</sup> Select if EMC-cable gland is procured locally

<sup>3)</sup> Without IP compatibility, not for use in operation

<sup>4)</sup> Selectable baudrate: 1200, 2400, 4800, 9600, 14400, 19200, 28800, 38400, 56000, 57600  
 Selectable parity: none (2 stop bits), odd (1 stop bit), even (1 stop bit)

#### Further customised parameterisation to be indicated

Process gas	SF <sub>6</sub> , SF <sub>6</sub> - based mixed gas, customer specific alternative gas
Variety of units for density dial	kPa, bar, MPa, psi (abs., rel., a, g), kg/m <sup>2</sup> , kg/cm <sup>2</sup> , also dual units available
Switchpoint @ 20°C <sup>1)</sup>	Microswitch 1, p= xxx
	Microswitch 2, p= xxx
	Microswitch 3, p= xxx

<sup>1)</sup> Factory setting for decreasing or increasing pressure available

Specifications		
<b>Mechanical density monitoring</b>	Monitoring principle <sup>1)</sup>	Absolute pressure reference gas measuring system
	Monitoring range	0 ... 1100 kPa abs. @ 20°C
	Monitoring output	Floating change-over contact (SPDT)
	Quantity of switchpoints	1 ... 3 microswitches
	Monitoring accuracy	Refer to density indicator and microswitch sections
<b>Electronical density measuring</b>	Measuring principle <sup>2)</sup>	Oscillating quartz sensor
	Density measuring range <sup>3)</sup>	0 ... 60 kg / m <sup>3</sup> 0 ... 1100 kPa abs. @ 20°C
	Temperature measuring range	-40°C ... +80°C
	Sensor output	RS485/Modbus (RTU)
	Output parameter	Gas density [kg/m <sup>3</sup> ], gas pressure [kPa abs.] @ 20°C, gas temperature [K], gas pressure [kPa abs.] @ temperature variable
<b>Environmental conditions</b>	Ambient temperature	-40°C ... +80°C
	Protection	IP65 and IP67
	Humidity	IEC 60068-2-30 (damp heat, cyclic, 100 % RH @ +55°C), membrane provides condensation compensation
	Overpressure	1300 kPa abs.
	Shock	70 g / 3 ms / 10'000 times at all axes excited on process connection without damage to instrument
	Routine inspection of gas tightness	Integral pressure testing with 6 bar rel. helium SF <sub>6</sub> leakage rate less than 1·10 <sup>-8</sup> mbar · l/s
<b>Mechanical Data</b>	Process gas wetted material	Process connection and measuring system: 1.4404, 1.4435, 1.4571 (AISI316L, AISI316Ti) Test and re-filling valve: 1.4404 (AISI316L), CuZn39Pb3 (C38500) Sealing: EPDM <sup>4)</sup> , IIR as option
	Housing	AISI10Mg, powder coated
	Screwed cable gland	Brass nickel plated, PA as option
	Dial	Dial face and pointer: Aluminium sheet Window: PMMA
	Weight	Hybrid density monitor ~ 1000g Hybrid density monitor with integrated test or re-filling valve ~ 1100 ... 1300g

<sup>1)</sup> Depending on process gas requirements, the fully sealed reference gas chamber contains up to 0.001kg of SF<sub>6</sub>. The relevant national regulations governing the disposal of hazardous waste apply and must be followed.

Decommissioned or defective monitors can be returned to the manufacturer for disposal in a safe and environmentally appropriate manner.

<sup>2)</sup> The oscillating quartz sensor principle is a direct density measurement and is fully independent from the process gas composition. Measuring range is based on density pressure correlation which is defined by the particular gas isochores and is specifically fitted. Please contact us for process gases other than 100 % SF<sub>6</sub>.

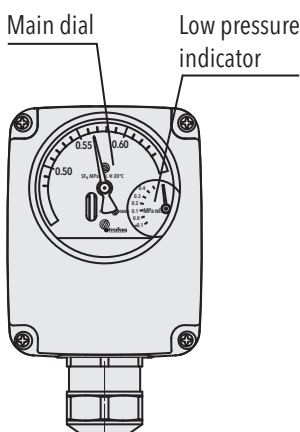
<sup>3)</sup> Shown density pressure correlation corresponds to 100 % SF<sub>6</sub> gas. Maximum value is either 60 kg / m<sup>3</sup> or 1100 kPa abs. @ 20°C, whichever is reached first.

<sup>4)</sup> SF<sub>6</sub> qualified

Density indicator		
	Main dial	Low pressure indication option
Indicator principle	Absolute pressure, fully temperature compensated by means of sealed reference gas chamber	Indication of relative pressure. For safety reasons it is not temperature compensated
Scale	Colour sectors (standard red/yellow/green or red/green), switchpoint markings, single or dual units	Single unit, graduated range
Unit	Optional kPa, MPa, bar, psi (abs., rel., a, g), kg/m <sup>2</sup> , kg/cm <sup>2</sup> , customer specific units available	According to main dial unit
Numbered range	up to 180 kPa @ 20°C between lowest and highest indicated value <sup>1)</sup>	Vacuum up to lowest switchpoint, 500 kPa rel. max.
Accuracy within numbered range	± 10 kPa @ 20°C	Up to 200 kPa rel.: ± 20 kPa up to 500 kPa rel.: ± 10% MV

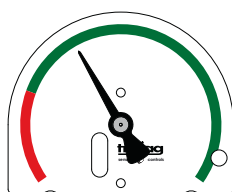
<sup>1)</sup> Typically ranges are from lock-out switchpoint to filling pressure (no high-alarm), or from lock-out switchpoint to high-alarm switchpoint

### Hybrid density monitor with main dial and low pressure indicator in standard orientation (electrical connection in 6 o'clock position)

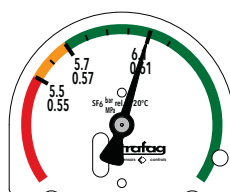


### Density indicator dial according to customer specification

Availability of a full variety of units including dual indication  
This also includes dial rotated by 90°/180°/270°



879x.XX.XXXX.XX.60.XX.XX



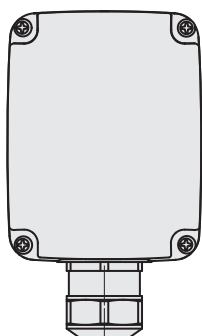
879x.XX.XXXX.XX.60.61.XX



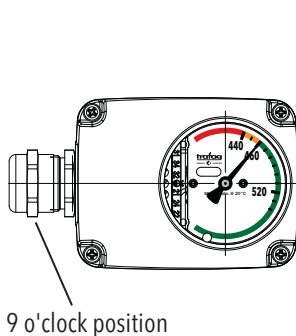
879x.XX.XXXX.XX.60.61.66.XX

### Customised dial orientation based on electrical connection position

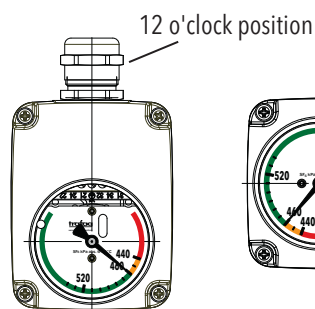
### Hybrid monitor without indication



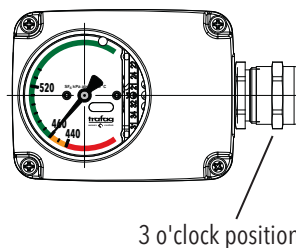
879x.XX.XXXX.XX.XX.XX



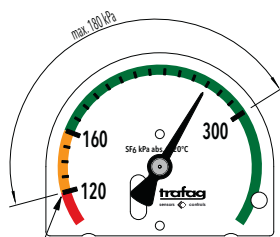
9 o'clock position



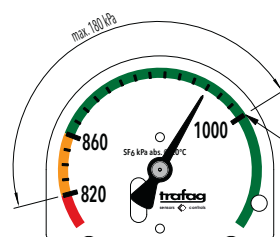
12 o'clock position



3 o'clock position



Lowest switchpoint setting: 120 kPa abs. @ 20°C  
Distance from lowest to highest switchpoint: up to 180 kPa @ 20°C



Highest switchpoint setting: 1000 kPa abs. @ 20°C  
Distance from lowest to highest switchpoint: up to 180 kPa @ 20°C

Microswitch and switchpoint		
<b>Microswitch</b>	Output signal	Floating change-over contact (SPDT)
	Resistive load (inductive load) rating	AC - 250 V 10 (1.5) A DC - 250 V 0.1 (0.05) A, 220 V 0.25 (0.2) A, 110 V 0.5 (0.3) A, 24 V 2 (1) A
	Resistance of insulation	>100 MΩ, 500 VDC, ex factory
	Dielectrical strength	2 kVAC, 50Hz, terminal to ground (earth)
	Switching cycle capacity	Up to 1 Mio. mechanical, more than 10'000 with maximum load
	Effect of vibration	4 g / 20...100 Hz effects no contact bounce at 5 kPa minimum distance from set switchpoint
<b>Switchpoint setting</b>	Factory adjustment	According to customer specification Standard setting is for decreasing pressure
	Lowest switchpoint setting	120 kPa abs. @ 20°C
	Highest switchpoint setting	1000 kPa abs. @ 20°C
	Distance from the lowest to the highest switchpoint <sup>1)</sup>	Up to 180 kPa @ 20°C
	Switching differential	3 ... 7 kPa typ. (15 kPa max.) if lowest to highest switchpoint distance is up to 130 kPa 5 ... 10 kPa typ. (20 kPa max.) if lowest to highest switchpoint distance is 130 ... 180 kPa

<sup>1)</sup> Distance from lock-out to high-alarm pressure, or from lock-out to filling pressure (no high-alarm)

Switchpoint accuracy				
		+20°C	-30°C ... +50°C	-40°C ... +60°C
<b>First alarm switchpoint setting pressure abs. @ 20°C <sup>1)</sup></b>				
≤ 650 kPa	[kPa max.]	± 8	± 10	± 12
> 650 kPa	[kPa max.]	± 8	± 12	± 14
<b>High pressure alarm <sup>1) 2)</sup></b>	[kPa max.]	± 10	± 16	± 20

<sup>1)</sup> While no liquefaction occurs

<sup>2)</sup> Only applicable if factory adjustment includes high-alarm switchpoint above filling pressure

Additional information		
<b>Documents</b>	Data sheet	<a href="http://www.trafag.com/H72517">www.trafag.com/H72517</a>
	Instructions	<a href="http://www.trafag.com/H73520">www.trafag.com/H73520</a>
	Flyer	<a href="http://www.trafag.com/H71106">www.trafag.com/H71106</a>

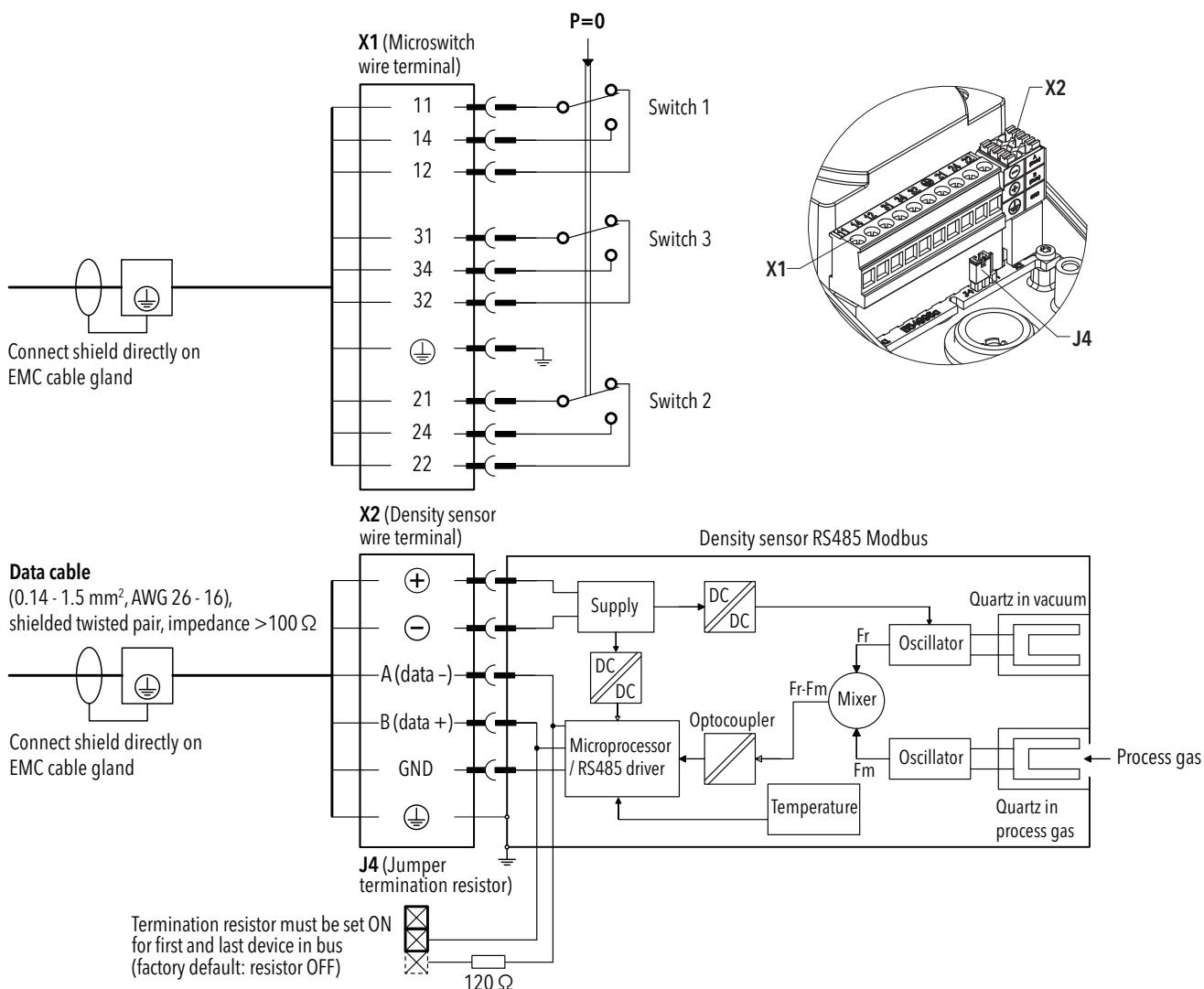
Density sensor		
<b>Electrical data</b>	Supply voltage	11 ... 32 VDC
	Current consumption @ 24 VDC	40 mA max. 20 mA typ.
	Earthing	Via process connection or wire terminal
	Resistance of insulation	>100 MΩ, 500 VDC, ex factory
<b>EMC protection</b>	Dielectrical strength	500 VAC, 50 Hz, terminal to ground (earth)
	ESD	15 kV air, 8 kV contact, EN/IEC 61000-4-2
	Radiated immunity	10 V/m, 80 ... 6000 MHz, EN/IEC 61000-4-3
	Burst	2 kV, EN/IEC 61000-4-4
<b>Modbus settings</b>	Surge	2 kV, EN/IEC 61000-4-5
	Conducted immunity	10 Vrms, EN/IEC 61000-4-6
	Baudrate	1200...57600, customised settings available
	Parity	None (2 stop bits) odd (1 stop bit) even (1 stop bit) customised settings available
<b>Accuracy</b>	Slave-ID	1 ... 247
	Devices in one bus	Up to 64
	Density measurement	± 1.0 % FS typ. ± 1.8 % FS max.
	Temperature measurement	± 1.0 % FS typ. ± 3.0 % FS max.
	Resolution density	13 bit
	Resolution temperature	10 bit
	Repeatability density measurement	± 0.2 % FS
	Repeatability temperature measurement	± 0.1 % FS
	Transient response time required for signal output to reach accuracy tolerance band	Less than 1 h after connecting monitor to pressurised compartment Less than 1 min. when monitor is vacuumised together with compartment before gas filling

## Electrical connections

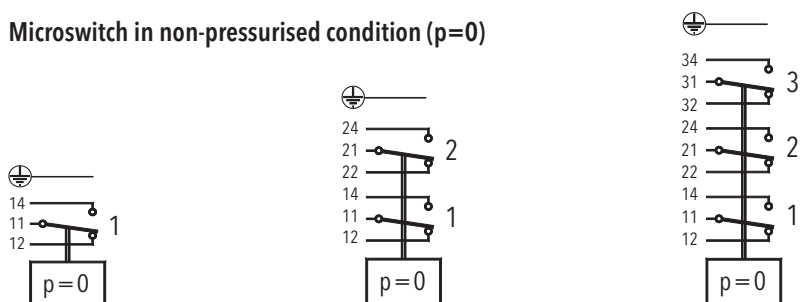
Standard wiring terminal is divided into microswitch (X1) and density sensor (X2) block by default

879x.21.XXXX.XX.XX.XX.XX

Number of microswitches according to customer application



### Microswitch in non-pressurised condition (p=0)



8791.XX.XXXX.XX..

8792.XX.XXXX.XX..

8793.XX.XXXX.XX..

Connected with all electrically conductive elements of the density monitor



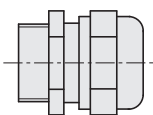
Instruction: [www.trafag.com/H73520](http://www.trafag.com/H73520)



## Electrical connections

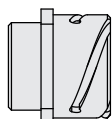
Connections for microswitch and density sensor		
	Microswitch connection	Density sensor connection
EMC-cable gland	See ordering information	See ordering information
Wire terminal	Plugable, 0.2 ... 2.5 mm <sup>2</sup> , 10-pins	Plugable, 0.14 ... 1.5 mm <sup>2</sup> , 6-pins
Connector option	ITT Cannon	M12x1, 5-pole, A-coding

EMC-cable gland



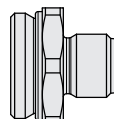
**879x.XX.XXXX.XX.XX.XX.XX**  
Type code 07...U8, see  
ordering information

ITT Cannon connector <sup>1)</sup>



**879x.XX.XXXX.XX.12.XX.XX**

M12x1, 5-pole connector <sup>1) 2)</sup>

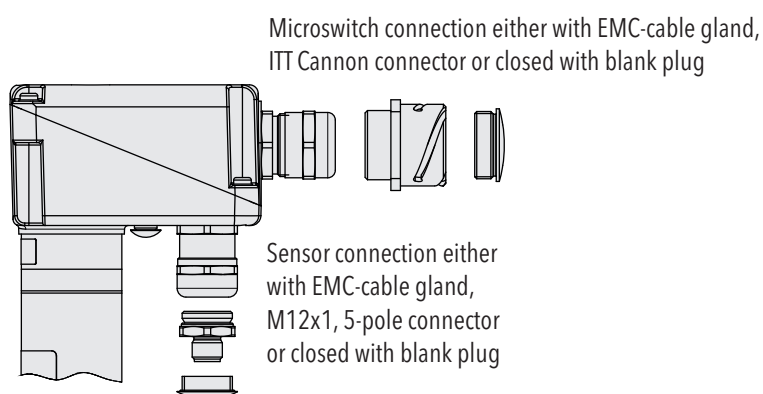


**879x.XX.XXXX.XX.U5.XX.XX**

Blank plug



**879x.XX.XXXX.XX.XX.XX.XX**  
Type code 04...U2, see  
ordering information

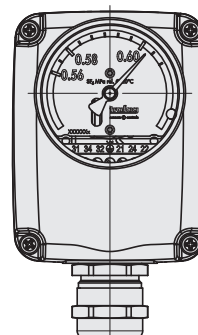
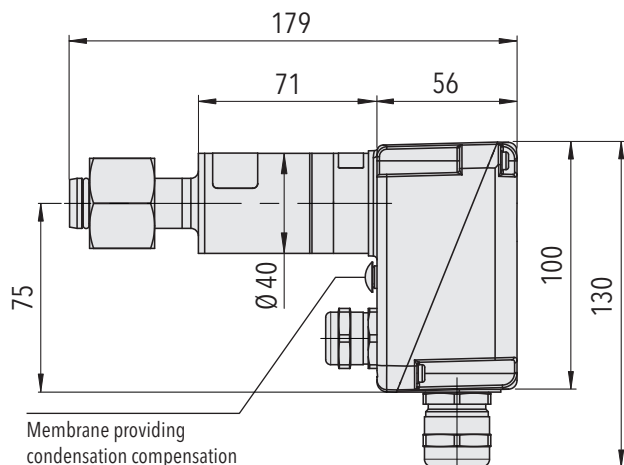


<sup>1)</sup> Monitor internal wiring provided. Please contact us for standard pin-out and more details.  
Sheltering option with weather protection cover (46) and/or thermal insulation ring (06) for probe housing only

<sup>2)</sup> Recommendation for connecting a T-piece connector: Use of a > 0.25 m shielded cable with female to male straight connectors between density sensor connection and T-piece to avoid orientation restriction due to connector coding

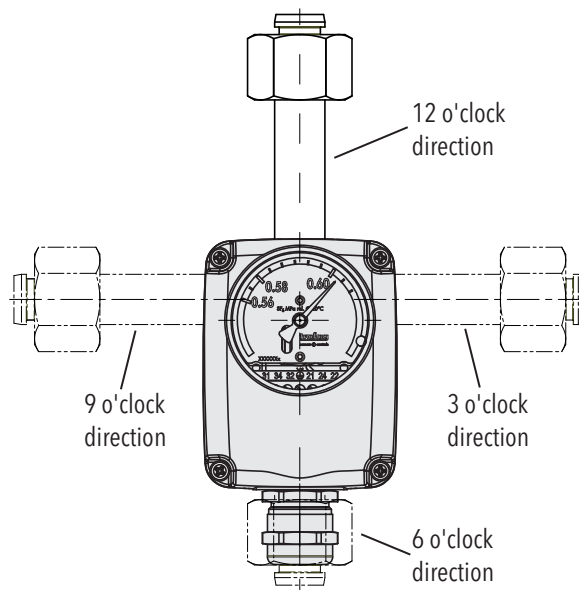
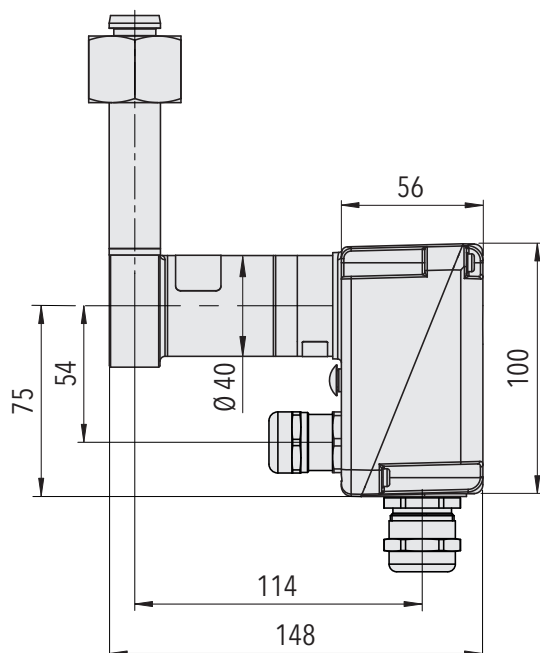
## Typical dimensions of hybrid density monitor

Example model with axial process connection and cap nut



879x.21.2XXX.XX.XX.XX.XX

Example model with radial process connection

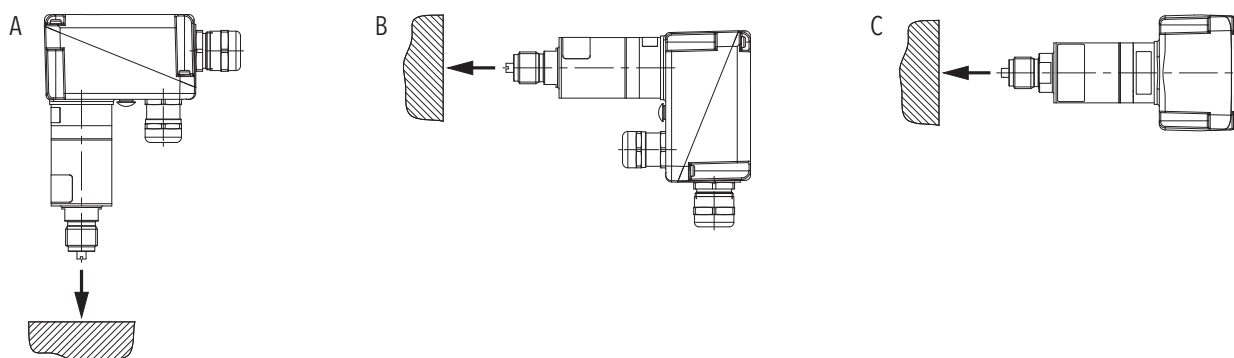


Radial process connection is configurable for 12/3/6/9 o'clock direction

879x.21.1XXX.XX.XX.XX.XX

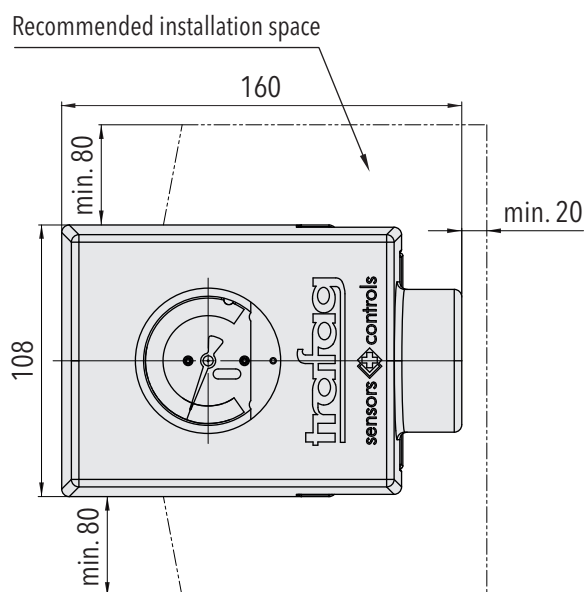
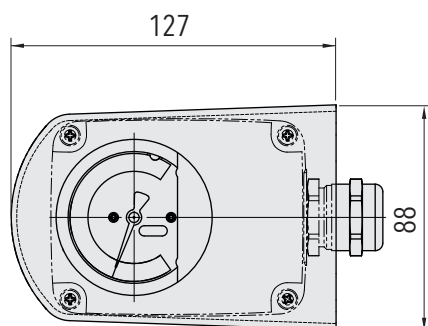
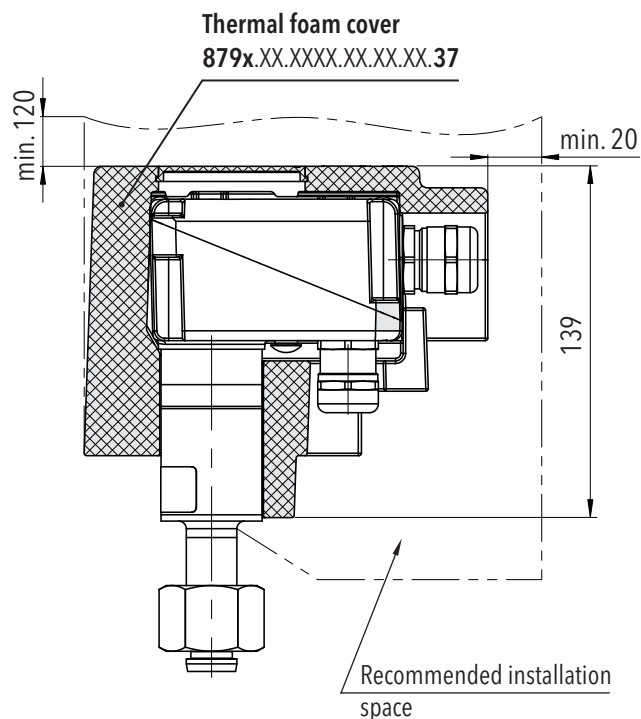
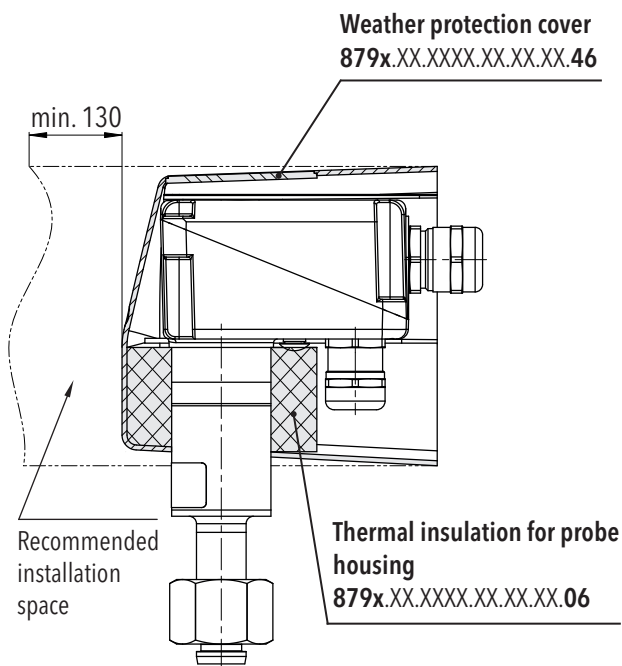
## Installation and sheltering options

Installation			
	Indoor application	Outdoor application	Outdoor application with rapidly changing or extreme weather conditions
<b>Installation orientation</b>	No limitations, any orientation possible	A, B, C <sup>1)</sup>	A, B, C <sup>1)</sup>
<b>Recommended option</b>	none	<ul style="list-style-type: none"> <li>■ Weather protection cover (46)</li> <li>■ Thermal insulation for probe housing (06)</li> </ul>	<ul style="list-style-type: none"> <li>■ Thermal foam cover (37)</li> <li>■ Compartment immersion type process connection (5XXX)</li> </ul>



<sup>1)</sup> Or any orientation in between. A horizontal upside down installation shall be avoided

## Installation and sheltering options

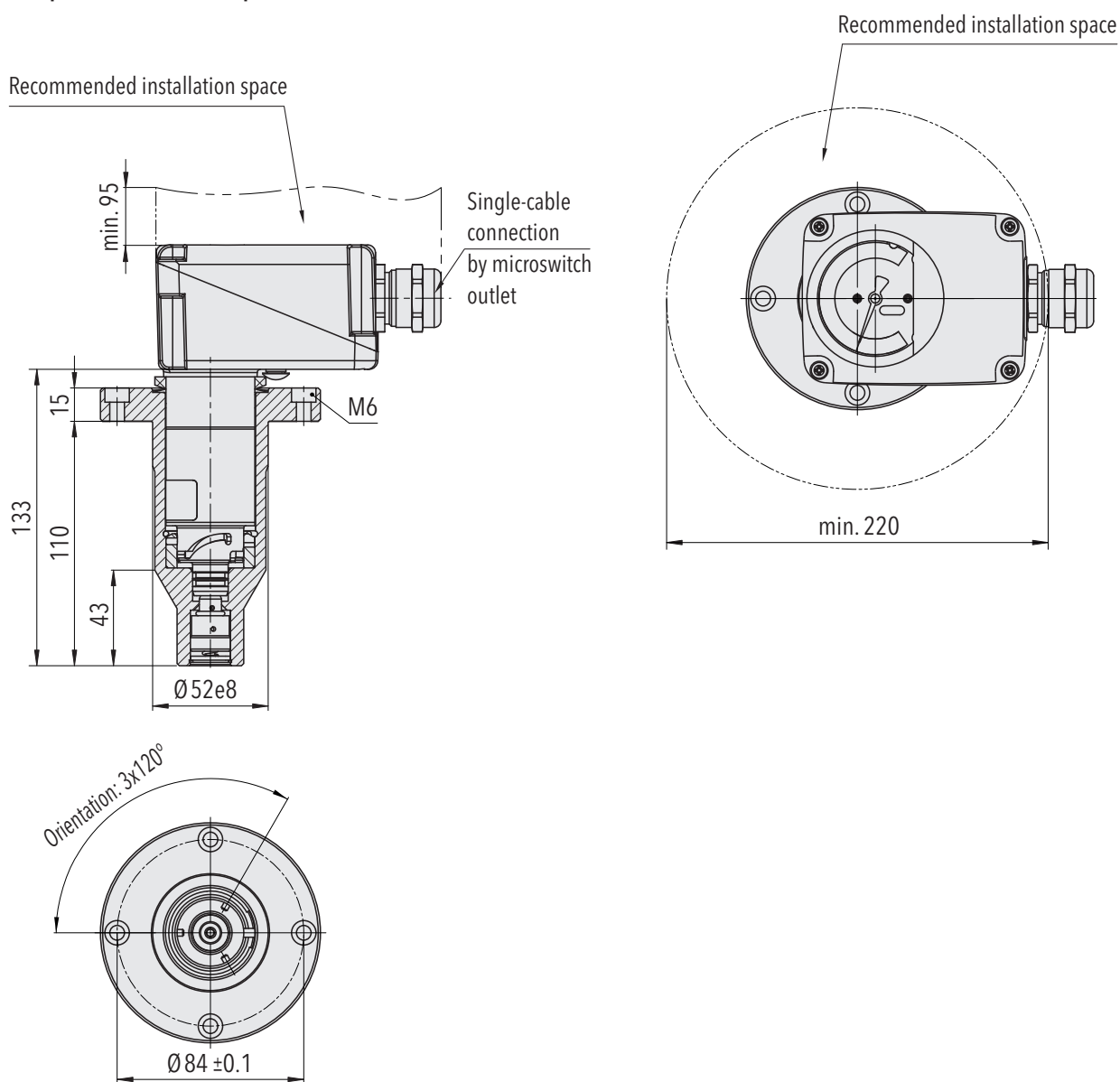


Weather protection cover (46) is aimed for long-term element protection. Insulation ring (06) for probe housing increases thermal inertia in moderate climates. Probe housing refers to lower part of the monitor where reference chamber and oscillating quartz sensor are located.

Foam cover (37) increases thermal inertia of the hybrid density monitor. It is recommended in locations with high solar radiation or daily temperature fluctuations (high altitude, arctic, desert).

## Installation and sheltering options

### Compartment immersion process connection



879x.XX.5XXX.XX.XX.XX.XX

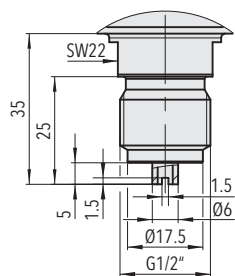
The in-compartment installation (5xxx) is aimed to match process gas and monitor probe temperature. Bayonet fitting allows installation while process is pressurised



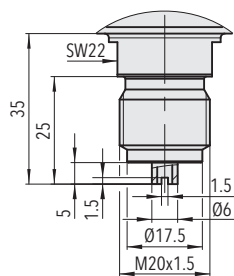
Further details see data sheet: [www.trafag.com/H72502](http://www.trafag.com/H72502)

## Process connections

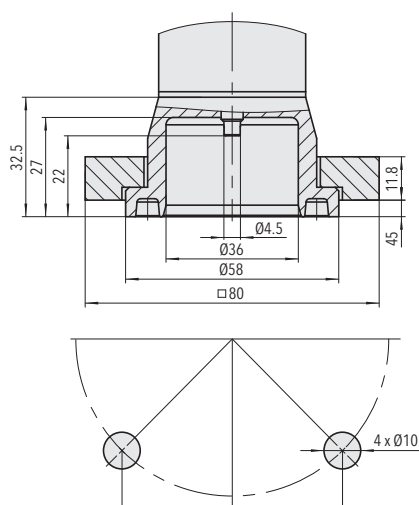
### Axial process connections



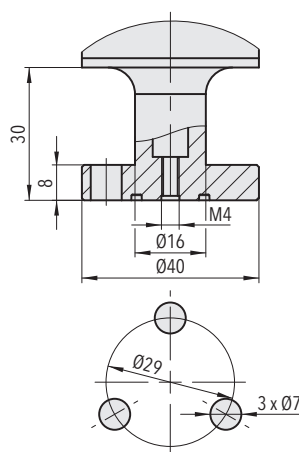
**879x.XX.1000.XX.XX.XX.XX**  
Axial threaded connection G1/2"



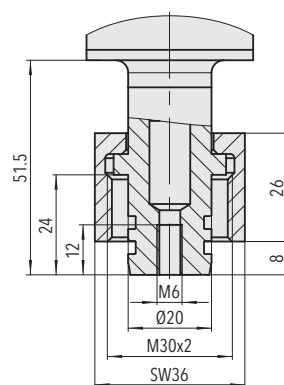
**879x.XX.1120.XX.XX.XX.XX**  
Axial threaded connection M20x1.5



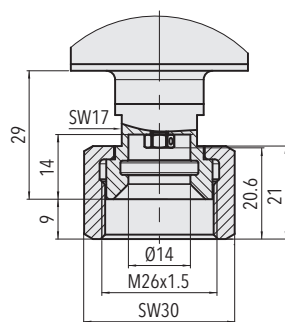
**879x.XX.2000.XX.XX.XX.XX**  
Axial flanged connection



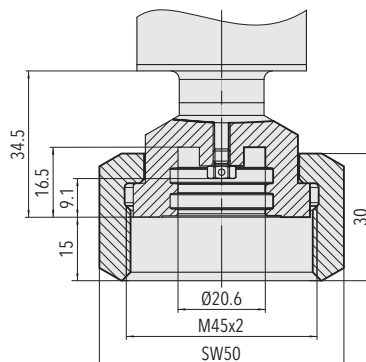
**879x.XX.2200.XX.XX.XX.XX**  
Axial flanged connection



**879x.XX.2300.XX.XX.XX.XX**  
Axial cap nut connection



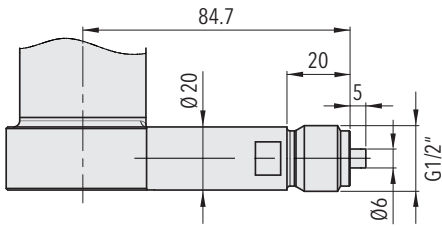
**879x.XX.2550.XX.XX.XX.XX**  
Axial for DILO DN8 connection



**879x.XX.2570.XX.XX.XX.XX**  
Axial for DILO DN20 connection

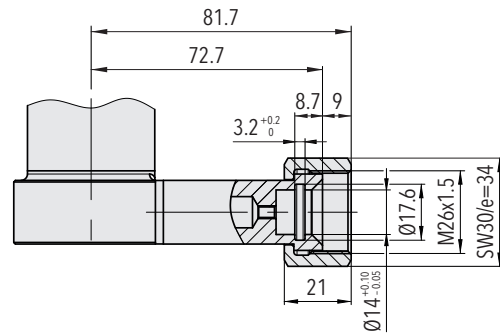
## Process connections

### Radial process connections



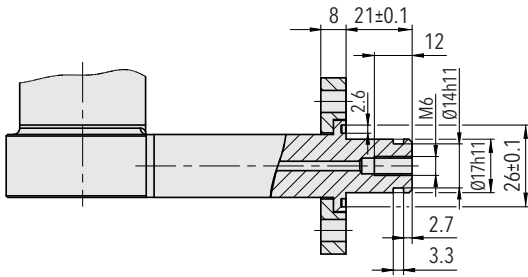
**879x.XX.1030.XX.XX.XX.XX**

Radial threaded connection G1/2"



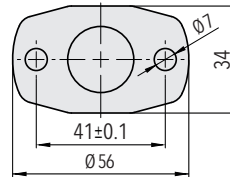
**879x.XX.2XE2.XX.XX.XX.XX**

Radial for DILO DN8 connection

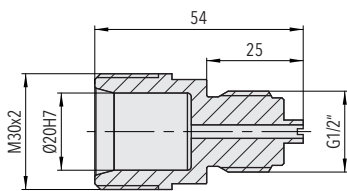


**879x.XX.2XP2.XX.XX.XX.XX**

Radial for two-hole flange connection



### Adapter



**879x.XX.2300.XX.XX.XX.N1**

Adapter 2300 - G1/2" male for rotatable  
G1/2" pressure connection

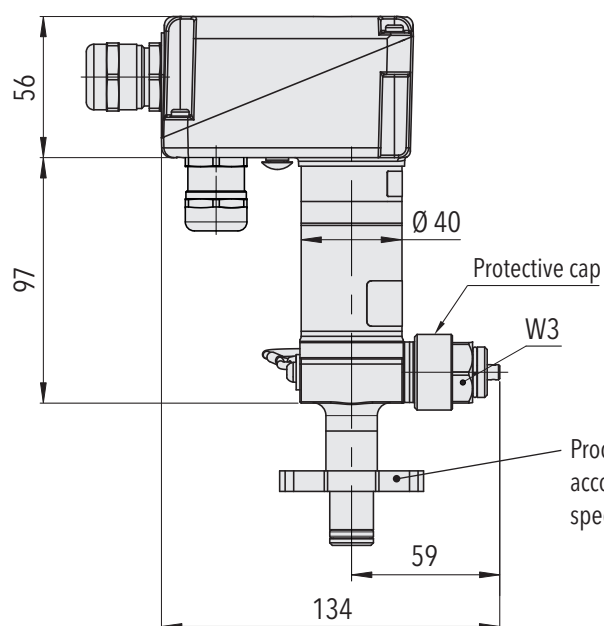


Delivery includes assembly kit and O-Ring set where applicable

For full range of process connections and more details see data sheet: [www.trafag.com/H72502](http://www.trafag.com/H72502)

## Valve options

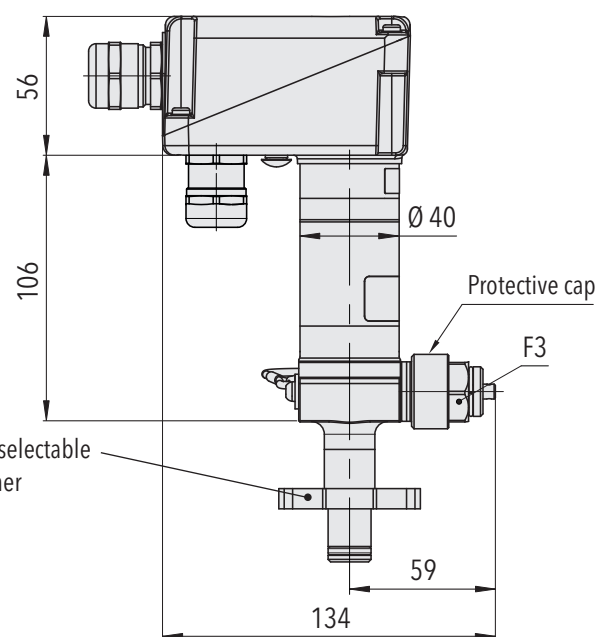
### Integrated test valve



**879x.XX.XXXX.XX.W0/W1/W2/W3.XX.XX**

Test valve allows in-situ monitor and sensor verification without dismounting from pressure compartment. Test equipment is connected via DILO DN8 port. Connection is configurable for direction W0/W1/W2/W3.

### Integrated re-filling valve

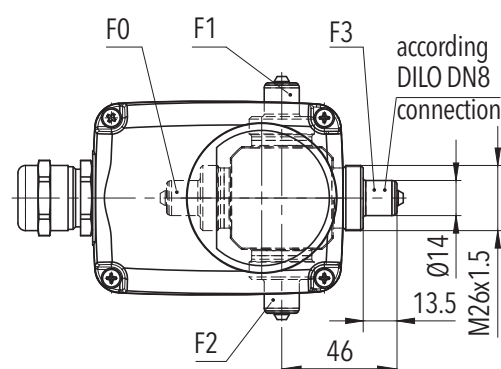
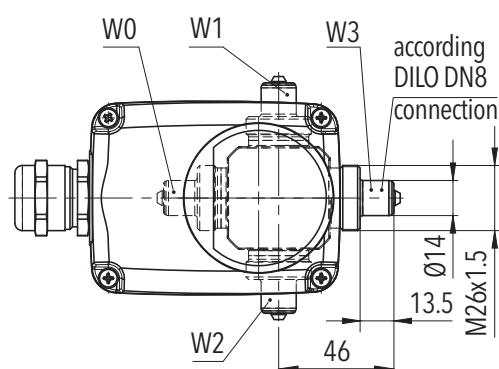


**879x.XX.XXXX.XX.F0/F1/F2/F3.XX.XX**

Re-filling valve allows direct insulating gas replenishment of pressure compartment via DILO DN8 port on re-filling valve. Connection is configurable for direction F0/F1/F2/F3.

### Orientation of service connection (top view) <sup>1)</sup>

please specify when ordering



<sup>1)</sup> While using weather protection cover or thermal foam cover, the indicated installation spaces should be followed. See section installation and sheltering options

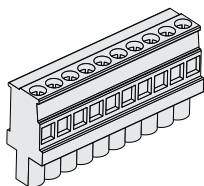
### Operating specification for test and re-filling valve:

Opening and closing shall be limited to temperature range of -25°C ... +50°C  
Mechanical lifetime min. 250 actuation cycles

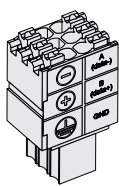
 for more details see instruction: [www.trafag.com/H73521](http://www.trafag.com/H73521)



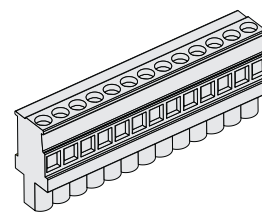
## Spare parts



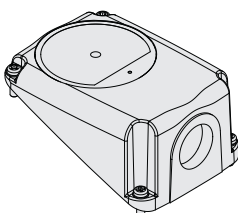
Microswitch standard wire terminal  
(block X1, 10-pins) <sup>1)</sup>



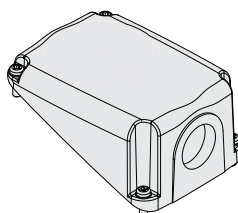
PCB Connector for RS485 (block X2, 6-pins)  
(Trafag part no.: E00693 with D70290)



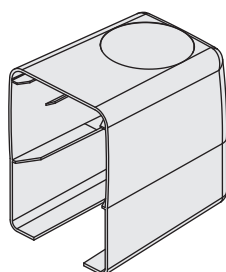
Microswitch wire terminal  
(old version, 13-pins) <sup>1)</sup>



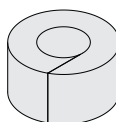
Housing cover with dial window <sup>2)</sup>



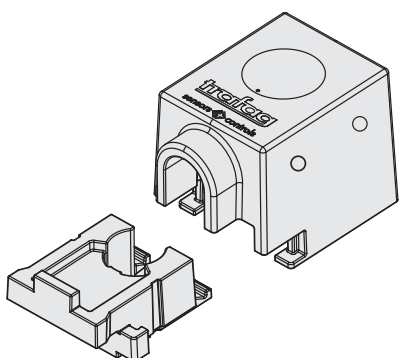
Housing cover without dial window <sup>2)</sup>



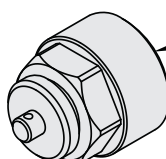
Weather protection cover  
(Trafag part no.: C16354)



Thermal insulation for probe housing  
(Trafag part no.: D34570)

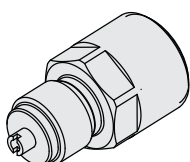


Thermal foam cover with drain holes  
(Trafag part no.: C23322)



2 x O-Ring EPDM  
mounted inside

M2x1.5 protective cap for test and re-filling valve  
(Trafag part no.: C30645)



Pressure connection adapter 2300 - G1/2" male  
(Trafag part no.: C30931)

<sup>1)</sup> Please contact us for more details

<sup>2)</sup> Please identify if microswitch cable outlet is required. For options see ordering information