

EX PRESSOSTAT

Swiss based Trafag is a leading international supplier of high quality sensors and monitoring instruments for measurement of pressure and temperature.



Applications

- Ex II 2G / D

Features

- Rugged aluminium housing, option: housing stainless steel
- Protection IP66
- Any mounting position possible
- Ex db eb IIC T6 Gb
- Ex tb IIIC T80°C Db

Technical Data			
Measuring principle	Bellow	Media temperature	-40°C ... +150°C
Measuring range	-0.9 ... 1.5 to 4 ... 40 bar	Ambient temperature	-50°C ... +65°C
Output signal	1 Floating change-over contact (SPDT)	Approval / conformity	SEV 15 ATEX 0157 X IECEX SEV 17.0013X
Switching differential	Not adjustable	Type of protection	Areas with gaz explosion hazards: II 2G Ex db eb IIC T6 Gb Areas with dust explosion hazards: II 2D Ex tb IIIC T80°C Db
Repeatability	± 1.0 % FS typ.		

05/2021

Data sheet H72263p

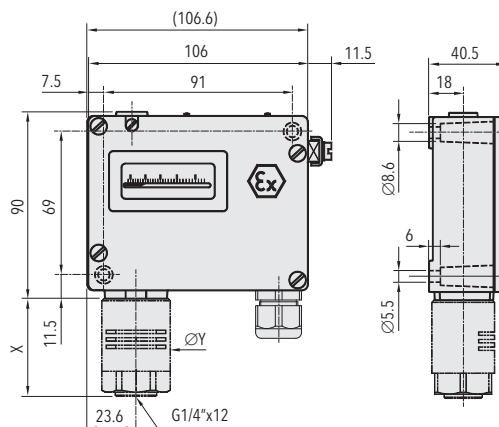
Subject to change

Ordering information/type code

		XXX	XX	XX	XXX	XX	XX			
Custom build code	With display and adjusting screw	900								
	Without display, with adjusting screw	904								
	With display and adjusting knob	912								
Microswitch	Standard, not adjustable					91				
Range	Range [bar]	Over pressure [bar]	Burst pressure [bar]		Range [bar]	Over pressure [bar]	Burst pressure [bar]			
	-0.9 ... 1.5	10	13	72	1 ... 10	24	36	78		
	0.2 ... 1.6	10	13	73	1 ... 16	24	36	79		
	0.2 ... 2.5	10	13	75	2 ... 25	40	75	80		
	0 ... 4	12	26	76	4 ... 40	40	75	81		
	0 ... 6	12	26	77						
Sensor	Sensor material	Sensor housing material	Thread	Range		Sensor material	Sensor housing material	Thread	Range	
	1.4435	Brass nickel plated	G1/4" female	72	850	1.4435	Brass nickel plated	G1/2" male	76, 77	854
	1.4435	Brass nickel plated	G1/2" male	72	859	1.4435	Brass nickel plated	G1/4" female	78, 79	855
	1.4435	Brass nickel plated	G1/4" female	73, 75	851	1.4435	Brass nickel plated	G1/2" male	78, 79	856
	1.4435	Brass nickel plated	G1/2" male	73, 75	852	1.4435	Brass nickel plated	G1/4" female	80, 81	857
	1.4435	Brass nickel plated	G1/4" female	76, 77	853	1.4435	Brass nickel plated	G1/2" male	80, 81	858
	Fixing	Direct on sensor or housing								00
With mounting bracket									31	
Accessories	Housing stainless steel								06	
	Damping elements and snubber see data sheet H72258									

Standard products (extra short lead time)

Product No.	Type Code	Pressure range [bar]	Over pressure max. [bar]	Switching differential [bar]	Diameter Y [mm]	Length X [mm]
EXP1.5	900 9172 850 00 0000 0000 02	-0.9 ... 1.5	10	0.2 (fixed)	45	56.5
EXP2.5	900 9175 851 00 0000 0000 02	0.2 ... 2.5	10	0.2 (fixed)	45	56.5
EXP6	900 9177 853 00 0000 0000 02	0 ... 6	12	0.4 (fixed)	33	47
EXP16	900 9179 855 00 0000 0000 02	1 ... 16	24	0.9 (fixed)	27	42.5

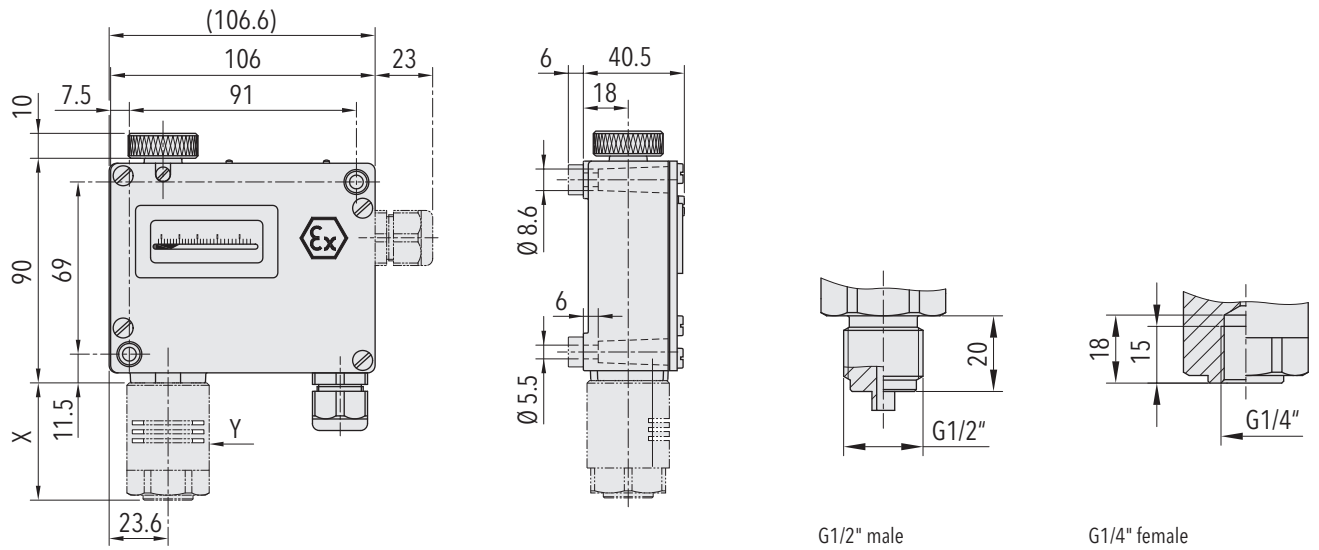


Specifications		
Accuracy	Repeatability	± 1.0 % FS typ.
	Scale accuracy typ.	± 2.0 % FS typ.
	Switching differential	See table
	Adjustment range switch point ¹⁾	10 % ... 90 % FS
Environmental conditions	Ambient temperature	-50°C ... +65°C
	Media temperature	-40°C ... +150°C
	Storage temperature	-50°C ... +65°C
	Protection	IP66 Accessory 06: IP66
	Humidity	Max.95 % relative
	Vibration	5...25 Hz: ±1.6 mm 25...100 Hz: 4 g Ranges 72, 73, 75: 5...50 Hz: 20 mm/sec.
	Shock	50 g / 11 ms
Mechanical data	Sensor	See ordering information
	Housing	AISI10Mg/ Epoxy coated Accessory 06: 1.4301 (AISI 304)
	Sealing	NBR
	Screwed cable gland	Polyamide (PA)
	Mounting torque	Max. 25 Nm
	Installation	any position
	Weight	~ 710 g
Microswitch	Rating	See table
	Resistance of insulation	> 2 MΩ
	Dielectric strength	1.5 kV
	Life time (mechanical)	1 Mio. cycles
Electrical connection	Electrical connections	Screw terminal
	Cable gland	M20x1.5/SW24 Cable-Ø 5.5-13 mm
	Terminal screw	3 x 0.5...1.5 mm ²

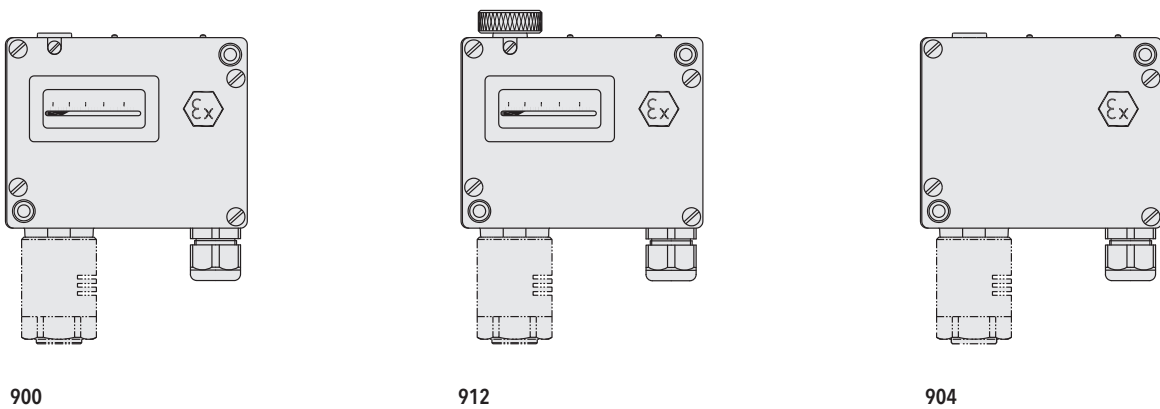
¹⁾ Other adjustment ranges upon request

Additional information		
Documents	Data sheet	www.trafag.com/H72263
	Instructions	www.trafag.com/H73171
	Flyer	www.trafag.com/H70916

Dimensions



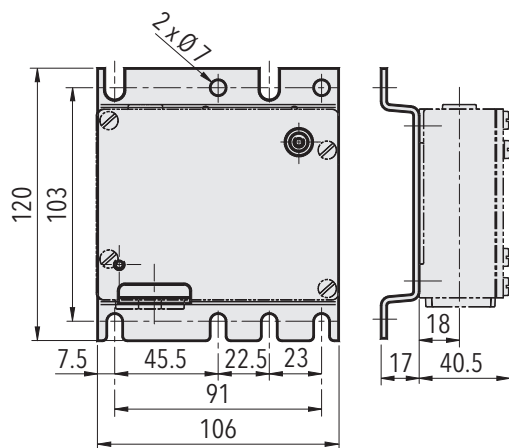
Dimension X and Y see data sheet H72271



900

912

904



9XX.XXXX.XXX.31

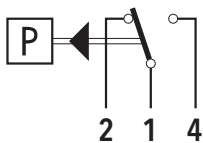
Switching differential typ. @ 25°C

Measuring range of bellows sensor	[bar]	-0.9 ... 1.5	0 ... 4	1 ... 10	2 ... 25
		0.2 ... 1.6	0 ... 6	1 ... 16	4 ... 40
		0.2 ... 2.5			
Microswitch 91	[bar]	0.2	0.4	0.9	2.0
Switching differential (not adjustable)					

Electrical data switch

Type	Features	Rating	
		Resistive Load (Inductive Load)	
		AC	DC
91	Standard Ex	250V 5(5) A 125V 5(5) A	250 V 0.25 (0.03) A 125 V 0.5 (0.06) A 75 V 0.75 (0.25) A 50 V 1 (1) A 30 V 5 (3) A 15 V 5 (3) A

Electrical connection



Switch 91