

Corrigo Vido

Pre-programmed 230 V ventilation controller



Pre-programmed 230 V ventilation controller with built-in communication via EXOline, Modbus or BACnet. Fast and easy setup with predefined applications for ventilation and selectable I/O configuration.

- ✓ Supply voltage 230 V AC
- ✓ Easy installation: Connect the controller, set the parameters and start up
- ✓ Easy configuration using Application tool
- ✓ Communication via BACnet, Modbus and EXOline
- ✓ Versatility through number of ports and expansion units

Application

Corrigo Vido is intended for control of ventilation applications in buildings. Several communication ports are available which makes it very versatile. An overview of all connection options are shown in the table under *Models*.

The number of I/O's can be expanded by different types of expansion units, like Ardo expansion units, Vido expansion units, Presigo and Wireless sensors.

Function

The Corrigo Vido controller supports communication via EXOline-TCP and BACnet/IP using the Ethernet port. Additionally, the RS485 electrical interface also supports BACnet MS/TP, EXOline and Modbus via that port. This enables integration of the controller into existing networks and monitoring of the system via internet, a

mobile device or from a local computer. A network connection enables adjusting setpoints, saving settings and supervising system functions from anywhere in the world.

All models contain an integrated web interface. The web interface can be used in both intranet and internet solutions. It will automatically upload the information and values required to the web pages.

HEAD OFFICE SWEDEN

Phone: +46 31 720 02 00

Web: www.regincontrols.com

E-mail: info@regincontrols.com

Corrigo Vido

— | —

REGIN
THE CHALLENGER

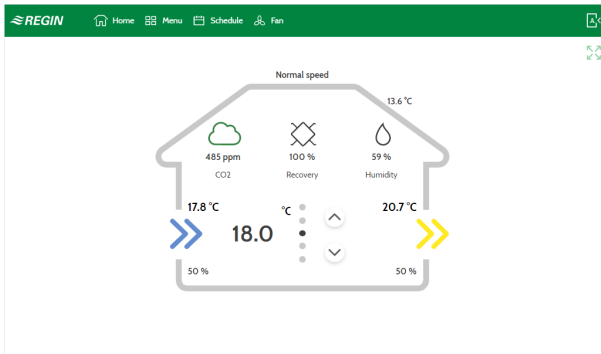


Fig. 1 Start page web interface

Installation

The controller can also easily be connected to *Application tool*, a PC-based software that enables configuration and supervision of an installation via a graphical interface. This helps save time as the software provides an excellent overview of all settings.

With *Application tool* it is possible to activate the connection of the controller to CLOUDigo, a cloud-based service for supervision via the internet. This can also be done using the display. When activated, the controller will by itself locate the CLOUDigo server in which all settings are stored. The user then navigates to the same server and controls the system from there.

Technical data

General

Supply voltage	230 V ~ (207...253 V ~ 50/60 Hz)
Protection class	IP20, IP40 when mounted in cabinet
Ambient temperature	0...50 °C
Storage temperature	-20...+70 °C
Ambient humidity	Max 95 % RH
Mounting	DIN-rail, cabinet or on wall
Display type	Backlit (LCD), 4 rows of 20 characters
Configuration	PT1000/Ni1000/Ni1000LG/0-10V
Operating system	EXOrealC
Clock	Real-time clock
Memory backup	Backup of memory and real-time clock function
Battery backup	CR2032 replaceable Lithium cell
Battery life	Min. 5 years
Dimensions, external (WxHxD)	147 x 98 x 76 mm
Weight (incl. packaging)	0.51 kg

Inputs

Analogue inputs (AI)	PT1000 or Ni1000 (-50...+150 °C)
Digital inputs (DI)	For potential-free contacts
Universal inputs (UI)	Can be configured to function as either analogue input or digital input.

Outputs

Universal analogue I/O (UA)	Configurable 0...10 V DC; 2...10 V DC; 10...0 V DC or 10...2 V DC output (12 bit short-circuit protected) or 0...10 V DC input
Analogue output (AO)	0...10 V DC, 1 mA, short-circuit proof
Digital outputs (DO)	7 x relay, 230 V AC, 1 A inductive load per relay

Serial port data

Port type	RS485
Default protocol	EXOline
Supported protocols	Modbus / EXOline / BACnet MS/TP
Port isolation	Galvanic common mode voltage, Max. 150 V
Communication speed	9600 baud (1200...76800 baud)
Parity	Odd/Even/None
Stop bits	1 or 2

Ethernet port data

Port type	Ethernet
Default protocol	EXOline-TCP
Supported protocols	EXOline-TCP / BACnet/IP

HEAD OFFICE SWEDEN

Phone: +46 31 720 02 00

Web: www.regincontrols.com

E-mail: info@regincontrols.com

Comigo Vido

M-Bus port data

Port type	M-Bus
Supported protocols	Standard M-Bus master
Communication speed	300 bps
Cable connection	Screw terminals max. 1.5 mm ² (AWG 16)



This product carries the CE-mark. More information is available at www.regincontrols.com.

Material

Material, housing	Polycarbonate (PC)
Material, base	Polycarbonate (PC)

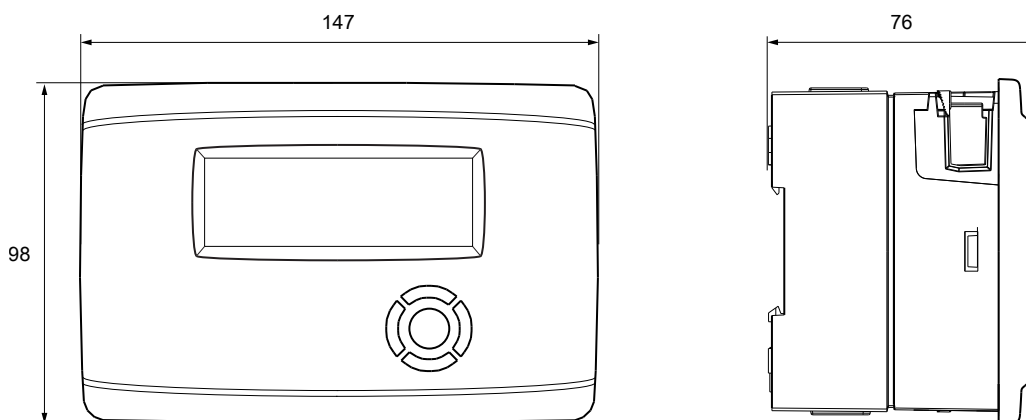
Models

Article	RS485 ports	Ethernet ports	M-Bus ports	Display	AI	DI	UI	AO	DO	UA	Power consumption
VCV203DWM-2	1	1	1	Yes	4	2	4	1	7	2	11 VA

Accessories

Article	Description
ED-T43L-V	External touch display
E3-DSP	External display
E0R-3	Repeater 24 V
E0R230K-3	Repeater 230 V
IO-A15MIXW-3-BEM	Expansion unit with 15 I/O:s
IO-V19MIXW-1-BEM	Expansion unit with 19 I/O:s
IO-A28MIXW-3-BEM	Expansion unit with 28 I/O:s

Dimensions



[mm]

HEAD OFFICE SWEDEN

Phone: +46 31 720 02 00

Web: www.regincontrols.com

E-mail: info@regincontrols.com

Comigo Vido

Documentation

All documentation can be downloaded from www.regincontrols.com.