



# ALU230A

Universal room controller

*Controller with a 0...10V output signal for control of e.g. an EC fan or damper.*

- ✓ Controller for connection of optional 0...10V sensor
- ✓ Settable for increasing or decreasing output signal
- ✓ Adjustable setpoint, P-band and I-time
- ✓ Discreet, stylish design suitable for all indoor environments

## A flexible controller

ALU230A is a stand-alone unit containing a controller supporting connection of an optional 0...10 V sensor, e.g. temperature, humidity or CO<sub>2</sub>.

## Simple, easy handling

ALU230A has a reversible output signal that permits control of either an increasing or decreasing output signal. The control mode is changed simply by moving a jumper. The setpoint is easily set inside the casing by using a rotary switch.

## Straightforward mounting

The unit is intended for mounting on a standard device box and powered by 230 V. No transformer is required.

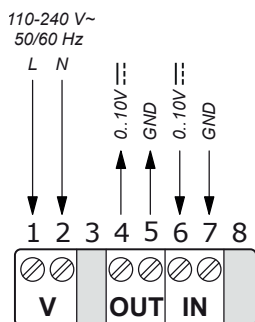
## Technical data

<b>Supply voltage</b>	110...240 V AC, 50/60 Hz
<b>Power consumption</b>	Max. 0.46 W
<b>Ambient temperature</b>	0...50°C
<b>Ambient humidity</b>	10...90 % RH (non-condensing)
<b>Protection class</b>	IP30
<b>Outputs</b>	1 analogue output 0...10 V (RL > 10 K)
<b>Inputs</b>	1 analogue input 0...10 V
<b>Dimensions (WxHxD)</b>	88 x 100 x 30.5 mm
<b>Mounting</b>	Wall
<b>Colour</b>	Signal white RAL 9003

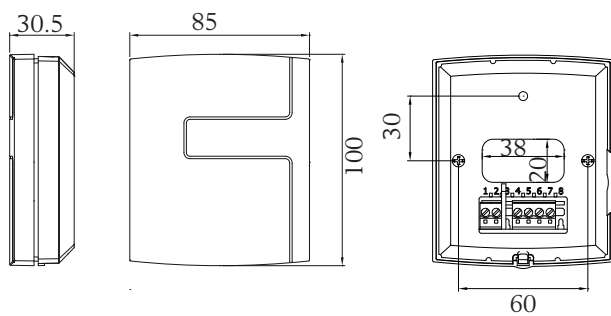
## CE

This product carries the CE-mark. More information is available at [www.regincontrols.com](http://www.regincontrols.com).

## Wiring



## Dimensions



## Product documentation

The product documentation can be downloaded from [www.regincontrols.com](http://www.regincontrols.com).